

# Cross Band Combiners

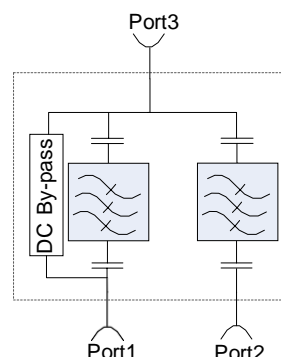
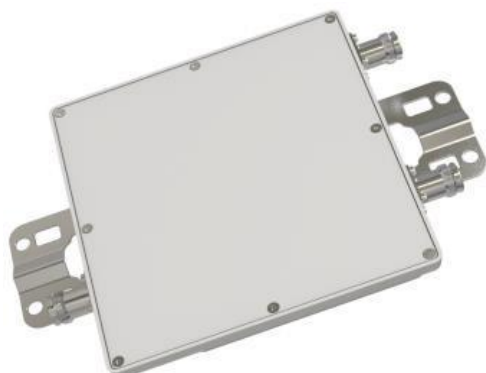
## JTD-CBx Series

## INDEX

DIPLEXER (68-490/698-3800MHz) .....	2
DIPLEXER (80-2690/3300-5925MHz) .....	4
DIPLEXER (690-960/1710-2690) .....	6
DIPLEXER (698-803/880-960) .....	8
DIPLEXER (698-2170/2300-2700) .....	10
DIPLEXER (1710-1880/1920-2200) .....	12
DIPLEXER (698-2700/3300-3800) .....	14
TRIPLEXER (380-960/1710-2170/2300-2700).....	16
TRIPLEXER (690-960/1710-1880/1920-2170).....	18
TRIPLEXER (690-960/1710-2170/2300-2690).....	20
TRIPLEXER (1710-1880/1920-2170/2300-2690) .....	22
TRIPLEXER (698-960/1710-2170/3300-3800).....	24
TRIPLEXER (617-960/1710-2700/3300-4200).....	26
TRIPLEXER (1710-2170/2300-2700/3300-3800) .....	28
QUADPLEXER (380-960/1710-1880/1920-2170/2300-2700).....	30
QUADPLEXER (694-806/824-960/1710-1880/1920-2170).....	32
QUADPLEXER (690-960/1710-1880/1920-2200/2300-2700).....	34
QUADPLEXER (698-960/1710-2170/2300-2700/3300-3800).....	36
QUADPLEXER (1710-1880/1920-2170/2300-2700/3300-3800) .....	38
PENTAPLEXER (694-806/824-960/1710-1880/1920-2170/2300-2700).....	40
PENTAPLEXER (698-803/824-894/1710-1880/2300-2700/3300-3800).....	42
PENTAPLEXER (698-960/1710-1880/1920-2170/2300-2400/2500-2700) .....	44
PENTAPLEXER (698-960/1710-1880/1920-2170/2500-2690/3500-3800) .....	46
PENTAPLEXER (698-960/1710-1880/1920-2170/2300-2690/3300-3800) .....	48
PENTAPLEXER (380-960/1427-1880/1920-2170/2300-2690/3300-3800) .....	50
HEXAPLEXER (698-806/824-960/1710-1880/1920-2170/2300-2700/3300-3800) .....	52
HEXAPLEXER (698-798/824-894/1695-2180/2300-2400/2500-2690/3300-3800) .....	54
7 COMBINER (698-798/824-960/1695-1880/1920-2200/2300-2400/2500-2690/3300-3800) .....	56

## Diplexer (68-490/698-3800MHz)

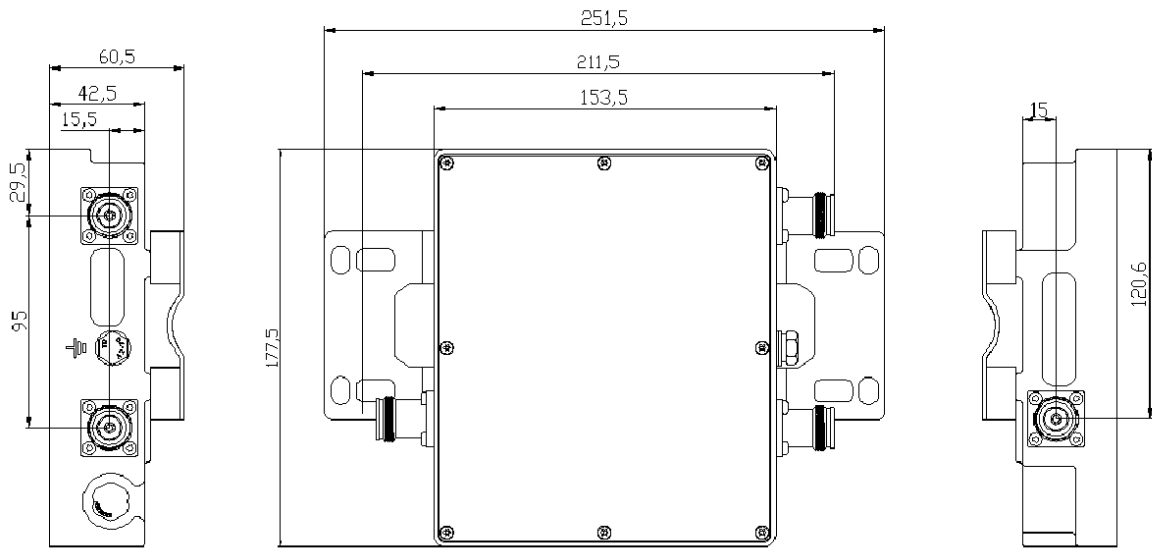
### Product Photo & Schematic Diagram



### Specifications

PRODUCT CODE	Single Unit: JTD-CB2-0105.0738-4F160S	
Electrical Specifications		
Frequency	68-490 MHz	698-3800 MHz
Insertion Loss	≤0.3 dB	≤0.3 dB
Isolation	≥ 50 dB	
Intermodulation	≤ -155 dBc @ 2 x 43 dBm	
VSWR	≤ 1.3	
Impedance	50 Ω	
Power Capacity	≤ 200 W / port	
DC Bypass/Current	Support / ≤3000 mA	
Environment Specifications		
Lighting Protection	10KA; 10/350 us pulse	
Safety	EN 60 950	
Environment	ETS 300 019	
Operating Temperature	-20°C to +65 °C	
Storage Temperature	-40 °C to +85 °C	
Relative humidity	5-95%	
Application	IP67 (Indoor and Outdoor)	
Mechanical Specifications		
Dimensions	165.5 x 176.5 x 47mm	
Weight	≤ 2.1 Kg	
RF Connector	4.3-10 female	
Mounting Type	Wall or Pole	
Installation Brackets	IK-CBAL100, 1 pair (Inclusive)	

### Outline Drawing



## Diplexer (80-2690/3300-5925MHz)

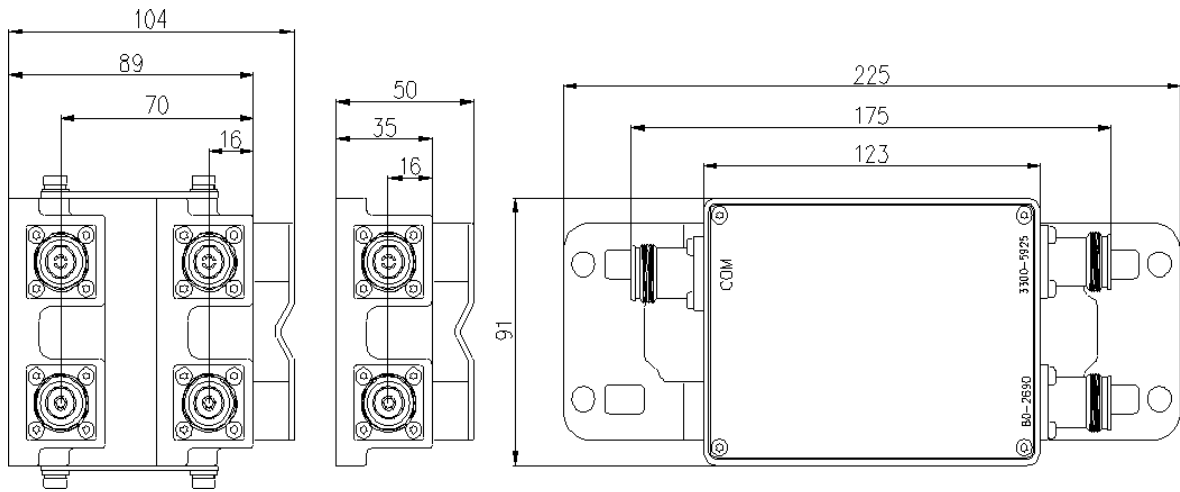
### Product Photo & Schematic Diagram



### Specifications

PRODUCT CODE	Single Unit: JTD-CB2-0127.3360-4F155S Twin Unit: JTD-CB2-0127.3360-4F155T	
Electrical Specifications		
Frequency	80-2690 MHz	3300-5925 MHz
Insertion Loss	≤0.4 dB, typical ≤0.25 dB	
Isolation	≥ 50 dB	
Intermodulation	≤ -155 dBc @ 2 x 43 dBm	
VSWR	≤ 1.3	
Impedance	50 Ω	
Power Capacity	≤ 100 W / port	
DC Bypass/Current	Support / ≤3000 mA	
Environment Specifications		
Lighting Protection	10KA; 10/350 us pulse	
Safety	EN 60 950	
Environment	ETS 300 019	
Operating Temperature	-20°C to +65 °C	
Storage Temperature	-40 °C to +85 °C	
Relative humidity	5-95%	
Application	IP67 (Indoor and Outdoor)	
Mechanical Specifications		
Dimensions	Single: 123 x 91 x 35 mm (Not include Connectors & Brackets) Twin: 123 x 91 x 89 mm	
Weight	Single: ≤ 0.75 Kg Twin: ≤ 1.7 Kg	
RF Connector	4.3-10 female	
Mounting Type	Wall or Pole	
Installation Brackets	IK-CBAL100, 1 pair (Inclusive)	

## Outline Drawing



## Diplexer (690-960/1710-2690)

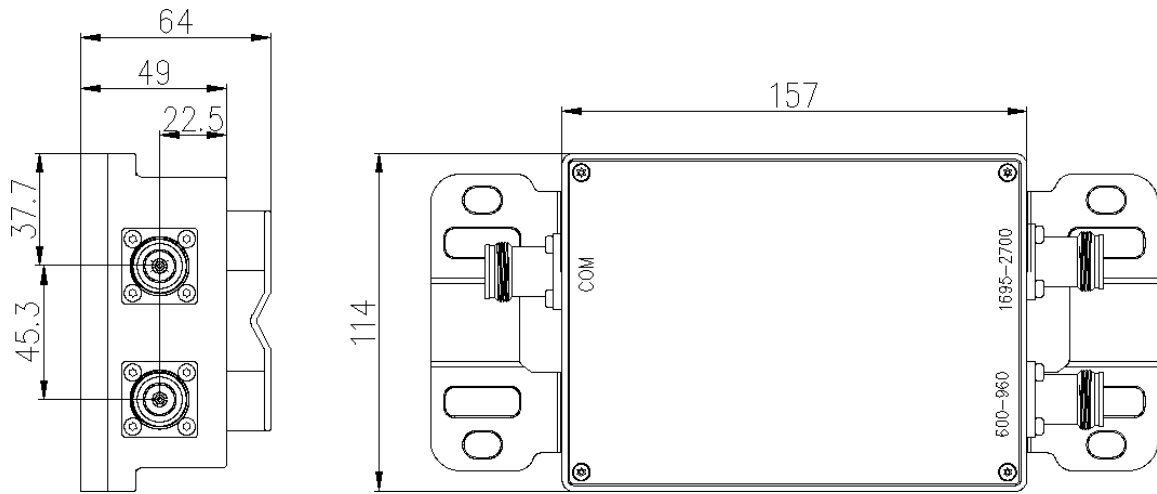
### Product Photo & Schematic Diagram



### Specifications

PRODUCT CODE	Single Unit: JTD-CB2-0709.1727-4F155S Twin Unit: JTD-CB2-0709.1727-4F155T	
Electrical Specifications		
Frequency	600-960 MHz	1695-2690 MHz
Insertion Loss	≤0.3 dB	≤0.3 dB
Isolation	≥50 dB	
Intermodulation	≤ -155 dBc @ 2 x 43 dBm	
VSWR	≤ 1.25	
Impedance	50 Ω	
Power Capacity	≤ 200 W / port	
DC Bypass/Current	Support (≤3 A), Customizable for each port	
Environment Specifications		
Lighting Protection	8/20 us,20KA; 10/350 us pulse, 3KA	
Safety	EN 60 950	
Environment	ETS 300 019	
Operating Temperature	-35 °C to +65 °C	
Storage Temperature	-40 °C to +85 °C	
Relative humidity	0-95%	
Application	IP67 (Indoor and Outdoor)	
Mechanical Specifications		
Dimensions	Single: 157 x 114 x 49 mm Twin: 157 x 114 x 99 mm	
Weight	Single: ≤ 1.25 Kg, Twin: ≤ 2.6 Kg	
RF Connector	4.3-10 female	
Mounting Type	Wall or Pole	
Installation Brackets	IK-CBAL200, 1 pair (Inclusive)	

## Outline Drawing





## Diplexer (698-803/880-960)

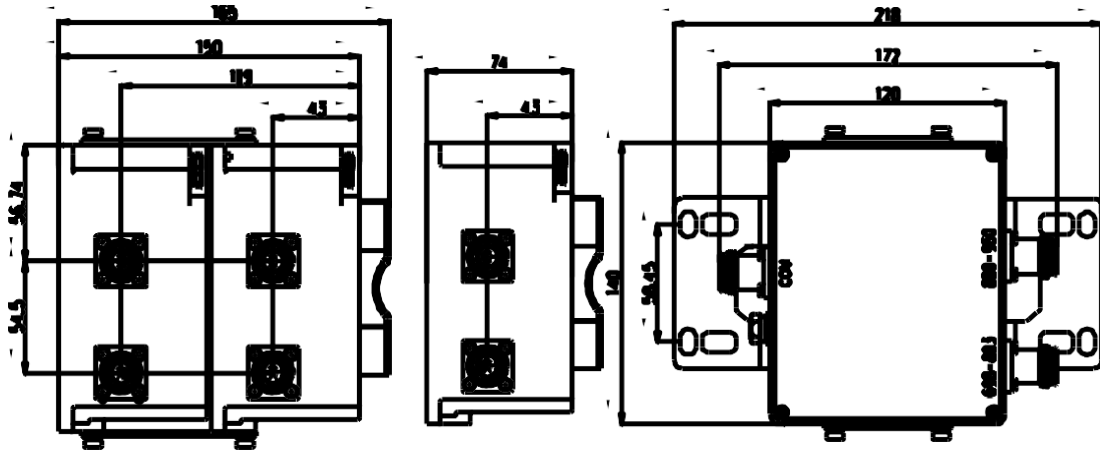
### Product Photo & Schematic Diagram



### Specifications

PRODUCT CODE	Single Unit: JTD-CB2-0708.0809-4F155S Twin Unit: JTD-CB2-0708.0809-4F155T	
<b>Electrical Specifications</b>		
Frequency	698-803 MHz	880-960 MHz
Insertion Loss	≤0.3 dB	≤0.3 dB
Isolation	≥45 dB	
Intermodulation	≤ -155 dBc @ 2 x 43 dBm	
VSWR	≤ 1.25	
Impedance	50 Ω	
Power Capacity	≤ 200 W / port	
DC Bypass/Current	Support (≤3 A), Customizable for each port	
<b>Environment Specifications</b>		
Lighting Protection	8/20 us,20KA; 10/350 us pulse, 3KA	
Safety	EN 60 950	
Environment	ETS 300 019	
Operating Temperature	-35 °C to +65 °C	
Storage Temperature	-40 °C to +85 °C	
Relative humidity	0-95%	
Application	IP67 (Indoor and Outdoor)	
<b>Mechanical Specifications</b>		
Dimensions	Single: 207 x 171 x 56.5 mm Twin: 207 x 171 x 118 mm	
Weight	Single: ≤ 1.55 Kg, Twin: ≤ 3.2 Kg	
RF Connector	4.3-10 female	
Mounting Type	Wall or Pole	
Installation Brackets	IK-CBAL200, 1 pair (Inclusive)	

# Outline Drawing



## Diplexer (698-2170/2300-2700)

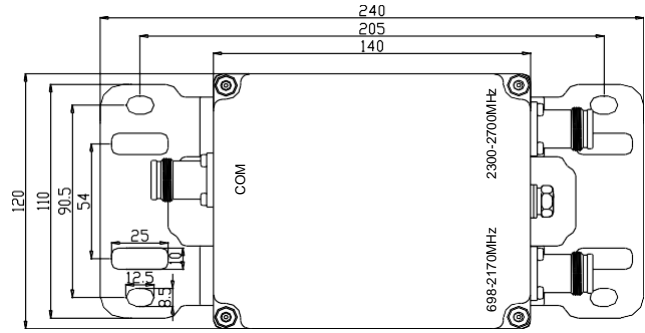
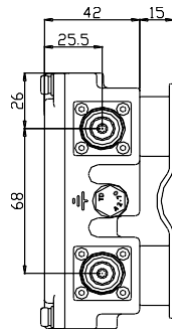
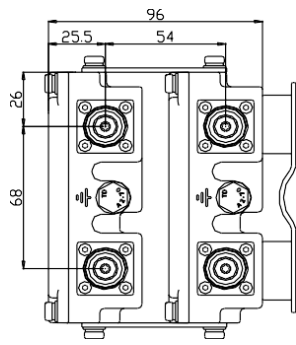
### Product Photo & Schematic Diagram



### Specifications

PRODUCT CODE	Single Unit: JTD-CB2-0722.2327-4F155S Twin Unit: JTD-CB2-0722.2327-4F155T	
<b>Electrical Specifications</b>		
Frequency	690-2170MHz	2300-2700 MHz
Insertion Loss	≤0.4dB	≤0.4 dB
Isolation	≥60 dB	
Intermodulation	≤ -155 dBc @ 2 x 43 dBm	
VSWR	≤ 1.25	
Impedance	50 Ω	
Power Capacity	≤ 200 W / port	
DC Bypass/Current	Support (≤3 A), <i>Customizable for each port</i>	
<b>Environment Specifications</b>		
Lighting Protection	8/20 us,20KA; 10/350 us pulse, 3KA	
Safety	EN 60 950	
Environment	ETS 300 019	
Operating Temperature	-35 °C to +65 °C	
Storage Temperature	-40 °C to +85 °C	
Relative humidity	0-95%	
Application	IP67 (Indoor and Outdoor)	
<b>Mechanical Specifications</b>		
Dimensions	Single: 120 x 140 x 42 mm Twin: 120x140x96 mm	
Weight	Single: ≤ 1.10 Kg, Twin: ≤ 2.30 Kg	
RF Connector	4.3-10 female	
Mounting Type	Wall or Pole	
Installation Brackets	IK-CBAL200, 1 pair (Inclusive)	

# Outline Drawing



## Diplexer (1710-1880/1920-2200)

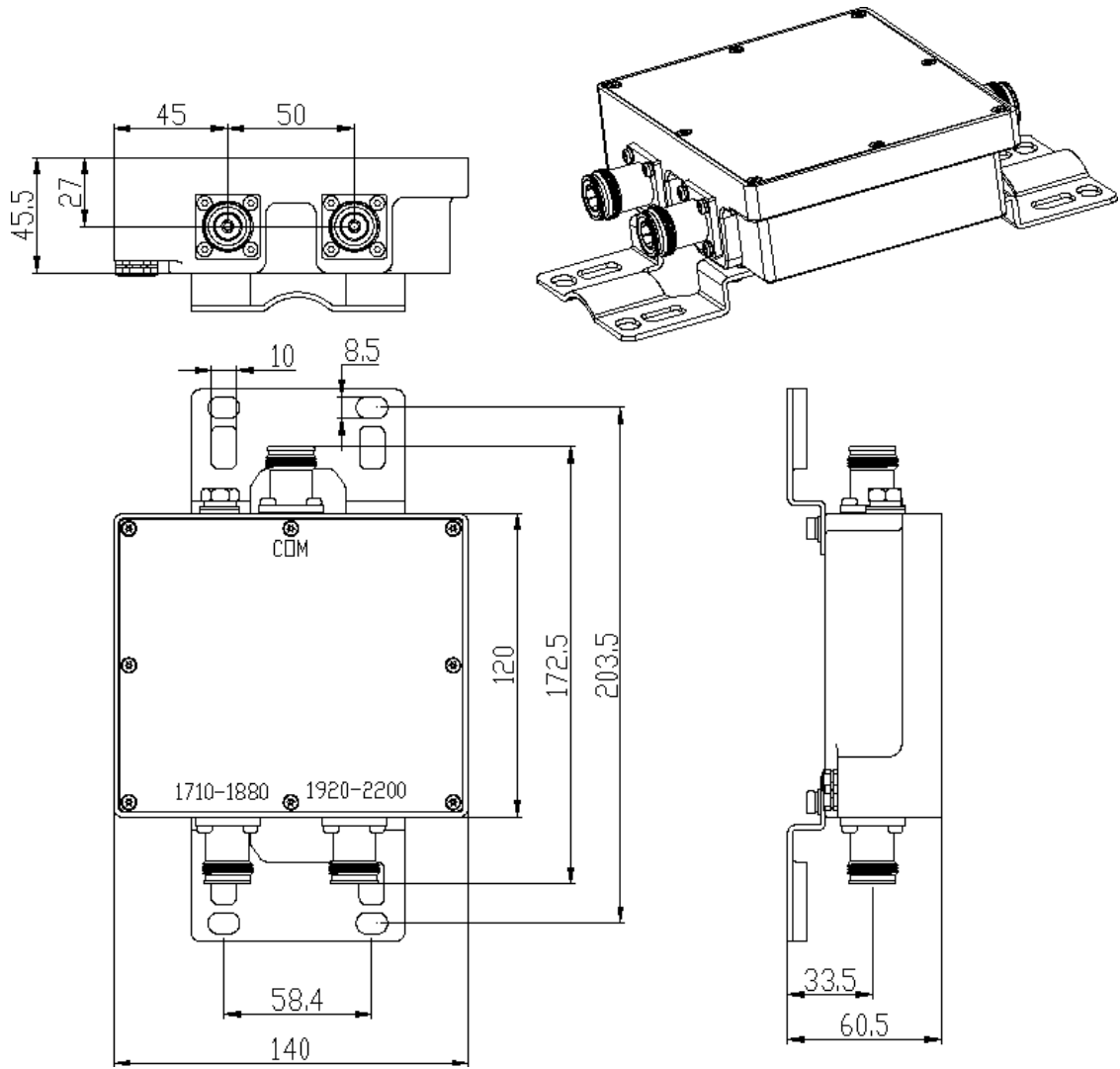
### Product Photo & Schematic Diagram



### Specifications

PRODUCT CODE	Single Unit: JTD-CB2-1718.1922-4F155S Twin Unit: JTD-CB2-1718.1922-4F155T	
<b>Electrical Specifications</b>		
Frequency	1710-1880 MHz	1920-2200MHz
Insertion Loss	≤0.4 dB	≤0.4 dB
Isolation	≥50 dB	
Intermodulation	≤ -155 dBc @ 2 x 43 dBm	
VSWR	≤ 1.25	
Impedance	50 Ω	
Power Capacity	≤ 200 W / port	
DC Bypass/Current	Support (≤3 A), <i>Customizable for each port</i>	
<b>Environment Specifications</b>		
Lighting Protection	8/20 us,20KA; 10/350 us pulse, 3KA	
Safety	EN 60 950	
Environment	ETS 300 019	
Operating Temperature	-35 °C to +65 °C	
Storage Temperature	-40 °C to +85 °C	
Relative humidity	0-95%	
Application	IP67 (Indoor and Outdoor)	
<b>Mechanical Specifications</b>		
Dimensions	Single: 120 x 140 x 47 mm Twin: 120 x 140 x 97 mm	
Weight	Single: ≤ 1.30 Kg, Twin: ≤ 2.70 Kg	
RF Connector	4.3-10 female	
Mounting Type	Wall or Pole	
Installation Brackets	IK-CBAL200, 1 pair (Inclusive)	

# Outline Drawing



## Diplexer (698-2700/3300-3800)

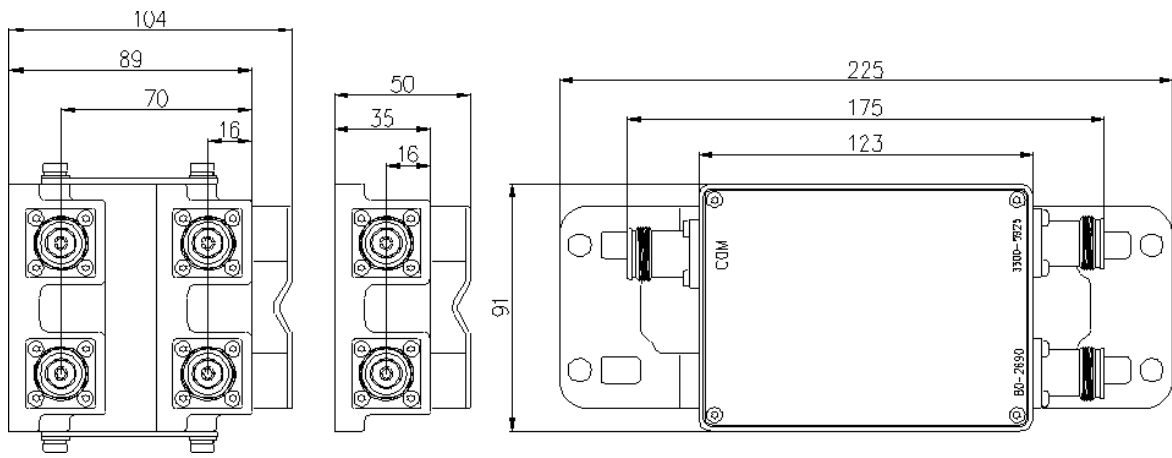
### Product Photo & Schematic Diagram



### Specifications

PRODUCT CODE	JTD-CB2-0727.3338-4F155S	
<b>Electrical Specifications</b>		
Frequency	80-2690 MHz	3300-5925 MHz
Insertion Loss	≤0.3 dB	≤0.3 dB
Isolation	≥50 dB	
Intermodulation	≤ -155 dBc @ 2 x 43 dBm	
VSWR	≤ 1.25	
Impedance	50 Ω	
Power Capacity	≤ 200 W / port	
DC Bypass/Current	Support (≤3 A), Customizable for each port	
<b>Environment Specifications</b>		
Lighting Protection	8/20 us,20KA; 10/350 us pulse, 3KA	
Safety	EN 60 950	
Environment	ETS 300 019	
Operating Temperature	-35 °C to +65 °C	
Storage Temperature	-40 °C to +85 °C	
Relative humidity	0-95%	
Application	IP67 (Indoor and Outdoor)	
<b>Mechanical Specifications</b>		
Dimensions	110 x 110 x 44 mm	
Weight	≤ 1.10 Kg	
RF Connector	4.3-10 female	
Mounting Type	Wall or Pole	
Installation Brackets	IK-CBAL300, 1 pair (Inclusive)	

## Outline Drawing





## Triplexer (380-960/1710-2170/2300-2700)

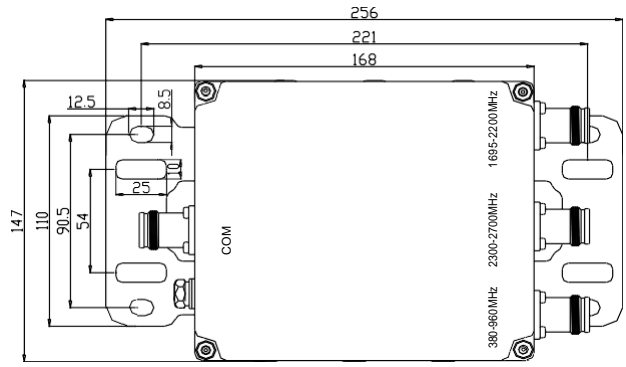
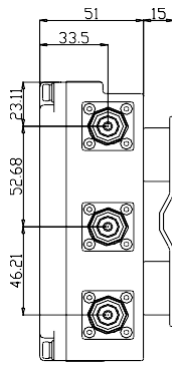
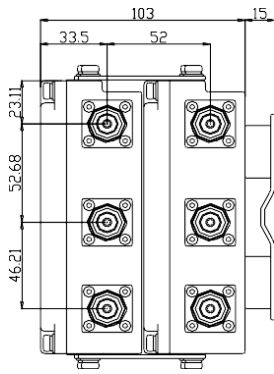
### Product Photo & Schematic Diagram



### Specifications

PRODUCT CODE	Single Unit: JTD-CB3-0409.1722.2327-4F155S Twin Unit: JTD-CB3-0409.1722.2327-4F155T		
Electrical Specifications			
Frequency	380-960 MHz	1710-2170 MHz	2300-2700 MHz
Insertion Loss	≤ 0.25 dB	≤ 0.25 dB	≤ 0.25 dB
Isolation	≥ 50 dB		
Intermodulation	≤ -155 dBc @ 2 x 43dBm		
VSWR	≤ 1.25		
Impedance	50 Ω		
Power Capacity	≤ 200 W / port		
DC Bypass/Current	Support (≤3 A), Customizable for each port		
Environment Specifications			
Lighting Protection	8/20 us,20KA; 10/350 us pulse, 3KA		
Safety	EN 60 950		
Environment	ETS 300 019		
Operating Temperature	-35 °C to +65 °C		
Storage Temperature	-40 °C to +85 °C		
Relative humidity	5-95%		
Application	IP67 (Indoor and Outdoor)		
Mechanical Specifications			
Dimensions	Single: 168 x 147 x 51 mm Twin: 168 x 147 x 103 mm		
Weight	Single: ≤ 2.0 Kg, Twin: ≤4.0 Kg		
RF Connector	4.3-10 female		
Mounting Type	Wall or Pole		
Installation Brackets	IK-CBAL200, 1 pair (Inclusive)		

# Outline Drawing



## Triplexer (690-960/1710-1880/1920-2170)

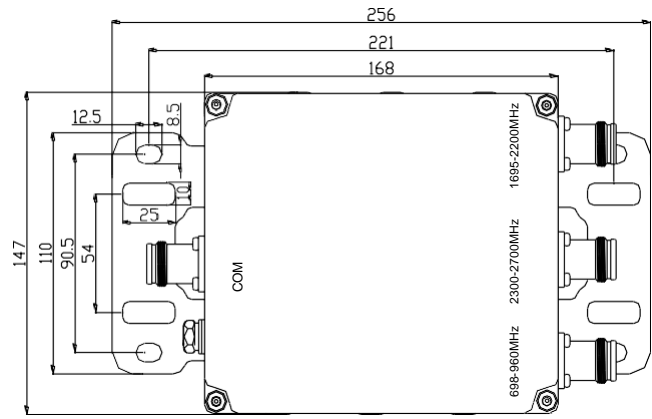
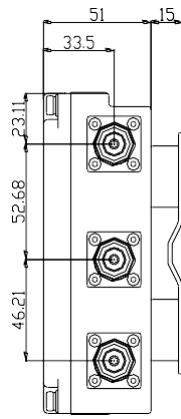
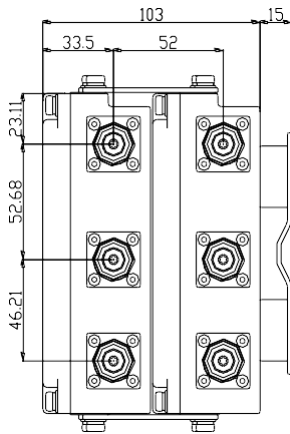
### Product Photo & Schematic Diagram



### Specifications

PRODUCT CODE	Single Unit: JTD-CB3-0709.1718.1922-4F155S Twin Unit: JTD-CB3-0709.1718.1922-4F155T		
Electrical Specifications			
Frequency	690-960 MHz	1710-2170 MHz	2300-2690 MHz
Insertion Loss	≤ 0.35 dB	≤ 0.35 dB	≤ 0.35 dB
Isolation	≥ 50 dB		
Intermodulation	≤ -155 dBc @ 2 x 43dBm		
VSWR	≤ 1.25		
Impedance	50 Ω		
Power Capacity	≤ 200 W / port		
DC Bypass/Current	Support (≤3 A), Customizable for each port		
Environment Specifications			
Lighting Protection	8/20 us,20KA; 10/350 us pulse, 3KA		
Safety	EN 60 950		
Environment	ETS 300 019		
Operating Temperature	-35 °C to +65 °C		
Storage Temperature	-40 °C to +85 °C		
Relative humidity	0-95%		
Application	IP67 (Indoor and Outdoor)		
Mechanical Specifications			
Dimensions	Single: 168x147 x 51 mm Twin: 168x147 x 103 mm		
Weight	Single: ≤ 1.8 Kg, Twin: ≤ 3.6 Kg		
RF Connector	4.3-10 female		
Mounting Type	Wall or Pole		
Installation Brackets	IK-CBAL200, 1 pair (Inclusive)		

# Outline Drawing



## Triplexer (690-960/1710-2170/2300-2690)

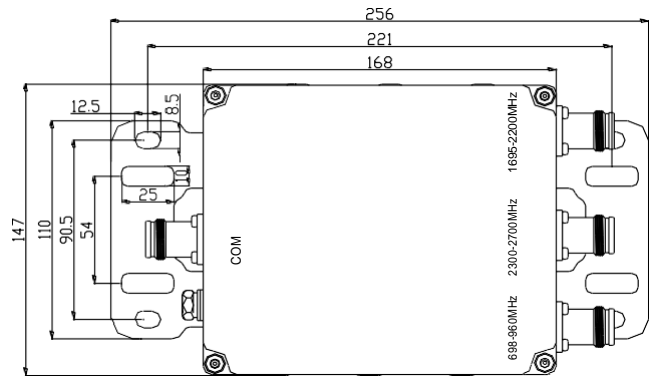
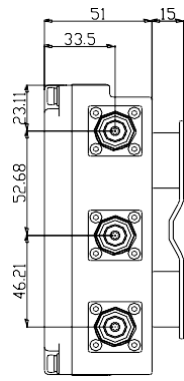
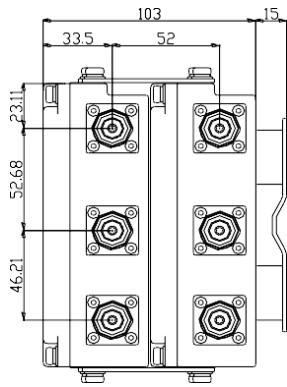
### Product Photo & Schematic Diagram



### Specifications

PRODUCT CODE	Single Unit: JTD-CB3-0709.1722.2327-4F155S Twin Unit: JTD-CB3-0709.1722.2327-4F155T		
Electrical Specifications			
Frequency	690-960 MHz	1710-2170 MHz	2300-2690 MHz
Insertion Loss	≤ 0.3 dB	≤ 0.3 dB	≤ 0.3 dB
Isolation	≥ 50 dB		
Intermodulation	≤ -155 dBc @ 2 x 43dBm		
VSWR	≤ 1.25		
Impedance	50 Ω		
Power Capacity	≤ 200 W / port		
DC Bypass/Current	Support (≤3 A), Customizable for each port		
Environment Specifications			
Lighting Protection	8/20 us,20KA; 10/350 us pulse, 3KA		
Safety	EN 60 950		
Environment	ETS 300 019		
Operating Temperature	-35 °C to +65 °C		
Storage Temperature	-40 °C to +85 °C		
Relative humidity	0-95%		
Application	IP67 (Indoor and Outdoor)		
Mechanical Specifications			
Dimensions	Single: 168 x 147 x 51 mm Twin: 168 x 147 x 103 mm		
Weight	Single: ≤ 1.8 Kg, Twin: ≤ 3.6 Kg		
RF Connector	4.3-10 female		
Mounting Type	Wall or Pole		
Installation Brackets	IK-CBAL200, 1 pair (Inclusive)		

# Outline Drawing



## Triplexer (1710-1880/1920-2170/2300-2690)

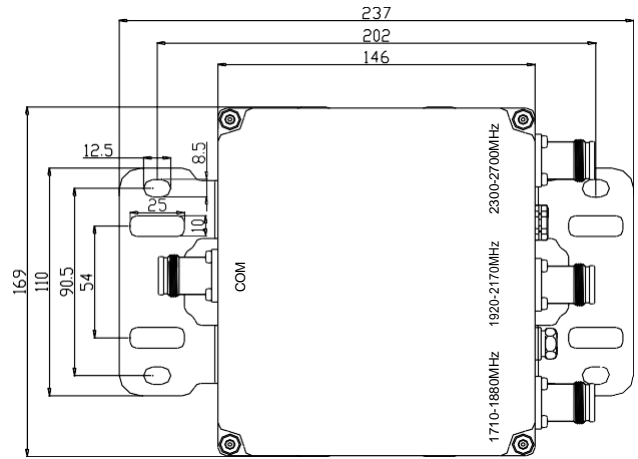
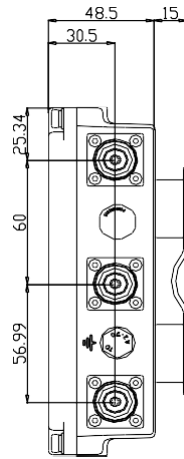
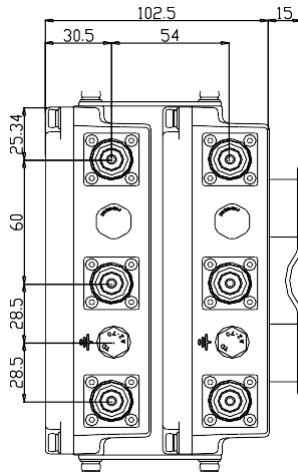
### Product Photo & Schematic Diagram



### Specifications

PRODUCT CODE	Single Unit: JTD-CB3-1718.1922.2327-4F155S Twin Unit: JTD- CB3-1718.1922.2327-4F155T		
Electrical Specifications			
Frequency	1710-1880 MHz	1920-2170 MHz	2300-2690 MHz
Insertion Loss	≤ 0.35 dB	≤ 0.35 dB	≤ 0.35 dB
Isolation	≥ 50 dB		
Intermodulation	≤ -155 dBc @ 2 x 43dBm		
VSWR	≤ 1.25		
Impedance	50 Ω		
Power Capacity	≤ 200 W / port		
DC Bypass/Current	Support (≤3 A), Customizable for each port		
Environment Specifications			
Lighting Protection	8/20 us, 20KA; 10/350 us pulse, 3KA		
Safety	EN 60 950		
Environment	ETS 300 019		
Operating Temperature	-35 °C to +65 °C		
Storage Temperature	-40 °C to +85 °C		
Relative humidity	0-95%		
Application	IP67 (Indoor and Outdoor)		
Mechanical Specifications			
Dimensions	Single: 169 x 146 x 48.5 mm Twin: 169 x 146 x 102.5 mm		
Weight	Single: ≤ 1.75 Kg, Twin: ≤ 3.5 Kg		
RF Connector	4.3-10 female		
Mounting Type	Wall or Pole		
Installation Brackets	IK-CBAL200, 1 pair (Inclusive)		

# Outline Drawing





## Triplexer (698-960/1710-2170/3300-3800)

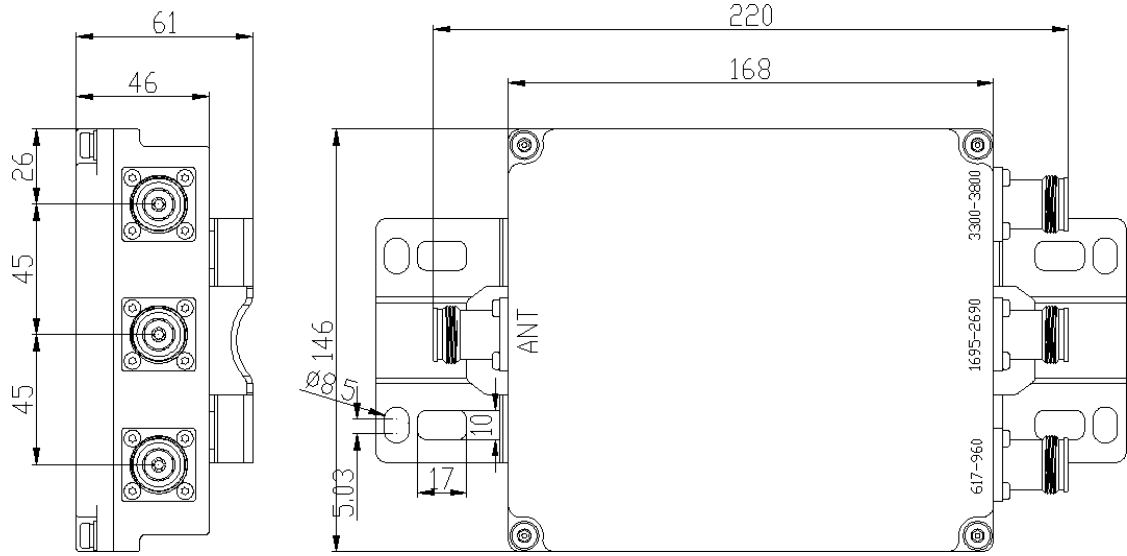
### Product Photo & Schematic Diagram



### Specifications

PRODUCT CODE	JTD-CB3-0709.1721.3338-4F155S		
Electrical Specifications			
Frequency	698-960 MHz	1710-2170 MHz	3300-3800 MHz
Insertion Loss	≤ 0.3 dB	≤ 0.3 dB	≤ 0.3 dB
Isolation	≥ 50 dB		
Intermodulation	≤ -155 dBc @ 2 x 43dBm		
VSWR	≤ 1.25		
Impedance	50 Ω		
Power Capacity	≤ 200 W / port		
DC Bypass/Current	Support (≤3 A), Customizable for each port		
Environment Specifications			
Lighting Protection	8/20 us,20KA; 10/350 us pulse, 3KA		
Safety	EN 60 950		
Environment	ETS 300 019		
Operating Temperature	-35 °C to +65 °C		
Storage Temperature	-40 °C to +85 °C		
Relative humidity	0-95%		
Application	IP67 (Indoor and Outdoor)		
Mechanical Specifications			
Dimensions	168 x 146 x 46 mm		
Weight	≤ 2.60 Kg		
RF Connector	4.3-10 female		
Mounting Type	Wall or Pole		
Installation Brackets	IK-CBAL300, 1 pair (Inclusive)		

# Outline Drawing



## Triplexer (617-960/1710-2700/3300-4200)

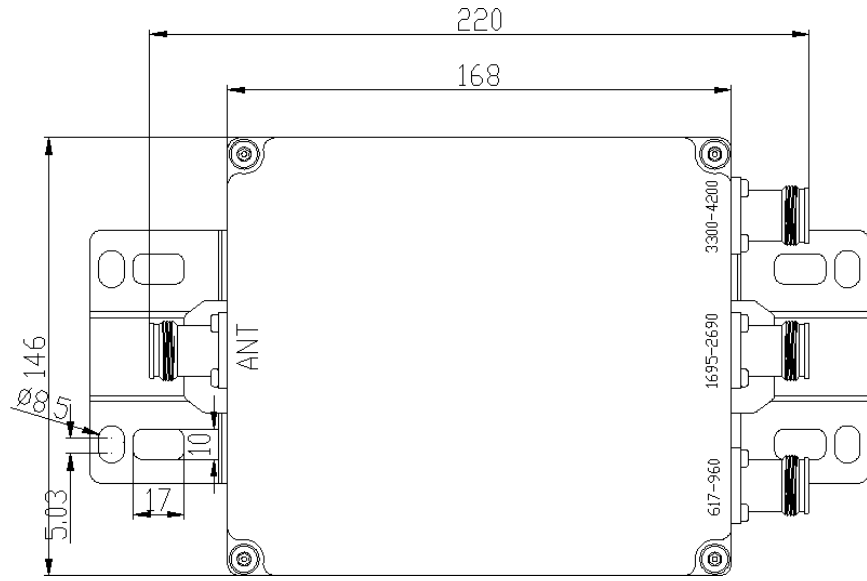
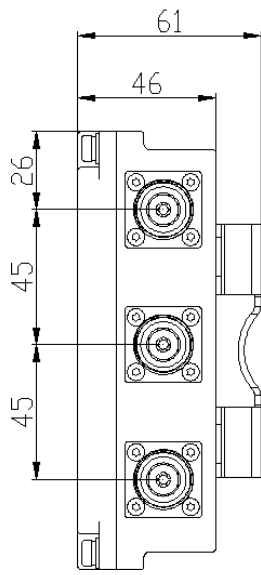
### Product Photo & Schematic Diagram



### Specifications

PRODUCT CODE	JTD-CB3-0609.1727.3342-4F155S		
Electrical Specifications			
Frequency	617-960 MHz	1710-2700 MHz	3300-4200 MHz
Insertion Loss	≤ 0.3 dB	≤ 0.3 dB	≤ 0.3 dB
Isolation	≥ 50 dB		
Intermodulation	≤ -155 dBc @ 2 x 43dBm		
VSWR	≤ 1.3		
Impedance	50 Ω		
Power Capacity	≤ 200 W / port		
Environment Specifications			
Lighting Protection	10/350 us pulse, 3KA		
Safety	EN 60 950		
Environment	ETS 300 019		
Operating Temperature	-35 °C to +65 °C		
Storage Temperature	-40 °C to +85 °C		
Relative humidity	0-95%		
Application	IP67 (Indoor and Outdoor)		
Mechanical Specifications			
Dimensions	168x 146 x 46 mm (not include connectors & brackets)		
Weight	≤ 2.60 Kg		
RF Connector	4.3-10 female		
Mounting Type	Wall or Pole		
Installation Brackets	IK-CBAL400, 1 pair (Inclusive)		

# Outline Drawing



## Triplexer (1710-2170/2300-2700/3300-3800)

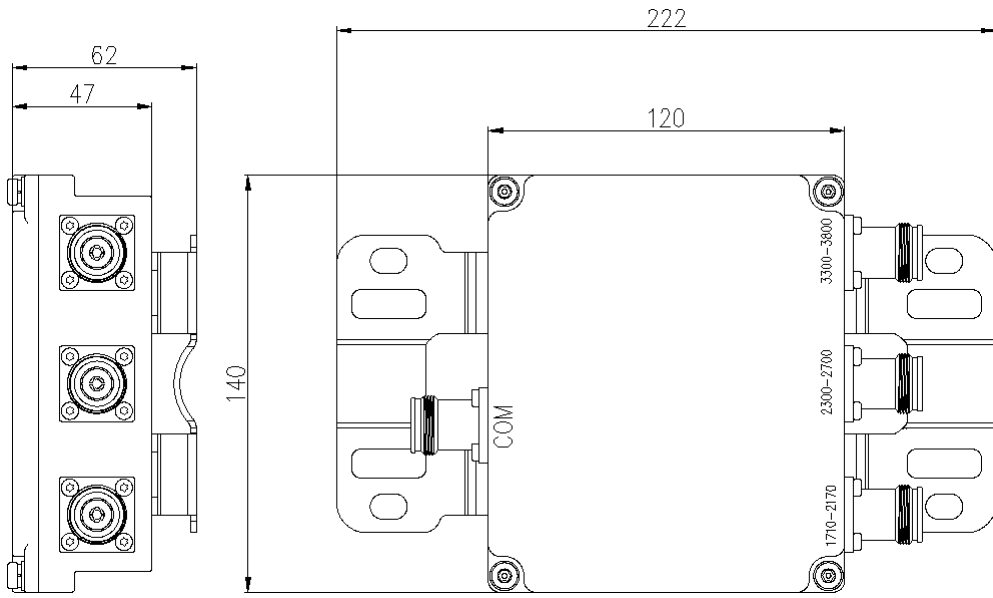
### Product Photo & Schematic Diagram



### Specifications

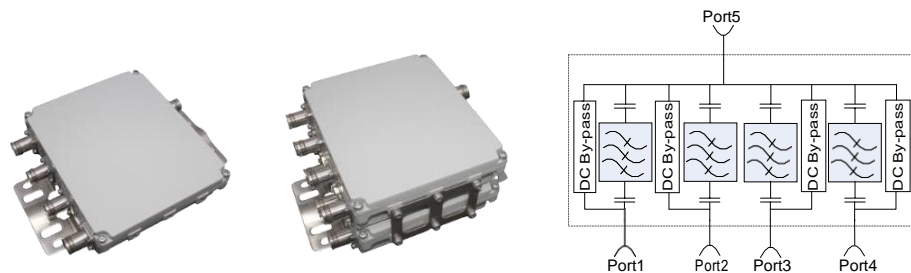
PRODUCT CODE	Single Unit: JTD-CB3-1722.2327.3338-4F155S Twin Unit: JTD-CB3-1722.2327.3338-4F155T		
<b>Electrical Specifications</b>			
Frequency	1710-2170 MHz	2300-2700 MHz	3300-3800 MHz
Insertion Loss	≤ 0.3 dB	≤ 0.3 dB	≤ 0.3 dB
Isolation	≥ 50 dB		
Intermodulation	≤ -155 dBc @ 2 x 43dBm		
VSWR	≤ 1.25		
Impedance	50 Ω		
Power Capacity	≤ 200 W / port		
DC Bypass/Current	Support (≤3 A), Customizable for each port		
<b>Environment Specifications</b>			
Lighting Protection	8/20 us,20KA; 10/350 us pulse, 3KA		
Safety	EN 60 950		
Environment	ETS 300 019		
Operating Temperature	-35 °C to +65 °C		
Storage Temperature	-40 °C to +85 °C		
Relative humidity	0-95%		
Application	IP67 (Indoor and Outdoor)		
<b>Mechanical Specifications</b>			
Dimensions	Single: 120 x 140 x 47 mm Twin: 120 x 140 x 99 mm		
Weight	Single: ≤ 2 Kg, Twin: ≤ 4.1 Kg		
RF Connector	4.3-10 female		
Mounting Type	Wall or Pole		
Installation Brackets	IK-CBAL200, 1 pair (Inclusive)		

# Outline Drawing



## Quadplexer (380-960/1710-1880/1920-2170/2300-2700)

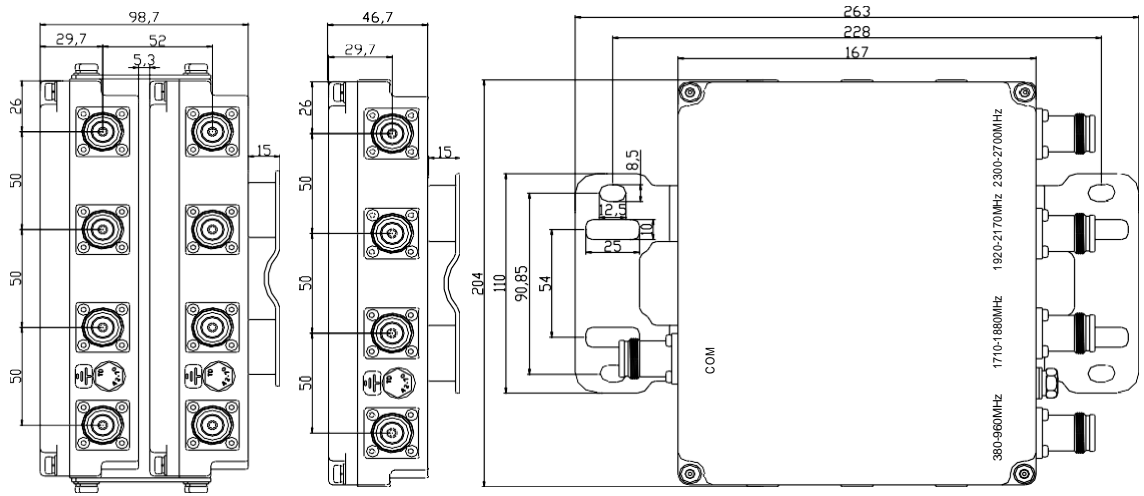
### Product Photo & Schematic Diagram



### Specifications

PRODUCT CODE	Single Unit: JTD-CB4-0409.1718.1922.2327-4F155S Twin Unit: JTD-CB4-0409.1718.1922.2327-4F155T			
Electrical Specifications				
Frequency	380-960MHz	1710-1880MHz	1920-2170MHz	2300-2700MHz
Insertion Loss	≤ 0.4 dB	≤ 0.4 dB	≤ 0.4 dB	≤ 0.4dB
Isolation	≥50 dB			
Intermodulation	≤ -155 dBc @ 2 x 43 dBm			
VSWR	≤ 1.25			
Impedance	50 Ω			
Power Capacity	≤ 200 W / port			
DC Bypass/Current	Support (≤ 3 A)			
Environment Specifications				
Lighting Protection	10 kA; 10/350 μs pulse			
Safety	EN 60 950			
Environment	ETS 300 019			
Operating Temperature	-20 °C to +65 °C			
Storage Temperature	-40 °C to +85 °C			
Relative humidity	0-95%			
Application	IP67 (Indoor and Outdoor)			
Mechanical Specifications				
Dimensions	Single: 204 x 167 x 46.7 mm Twin: 204 x 167 x 98.7 mm			
Weight	Single: ≤ 2.8 Kg, Twin: ≤ 5.8 Kg			
RF Connector	4.3-10 female			
Mounting Type	Wall or Pole			
Installation Brackets	IK-CBAL200, 1 pair (Inclusive)			

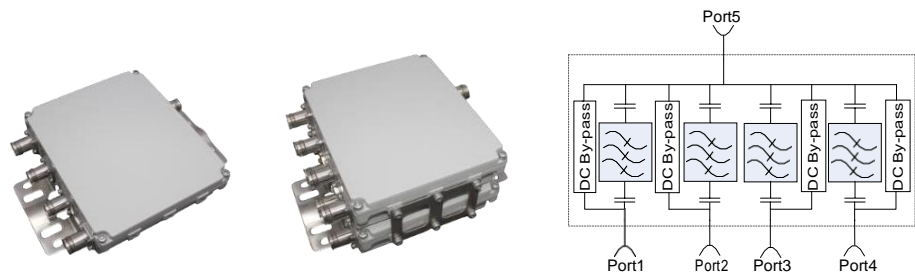
# Outline Drawing





## Quadplexer (694-806/824-960/1710-1880/1920-2170)

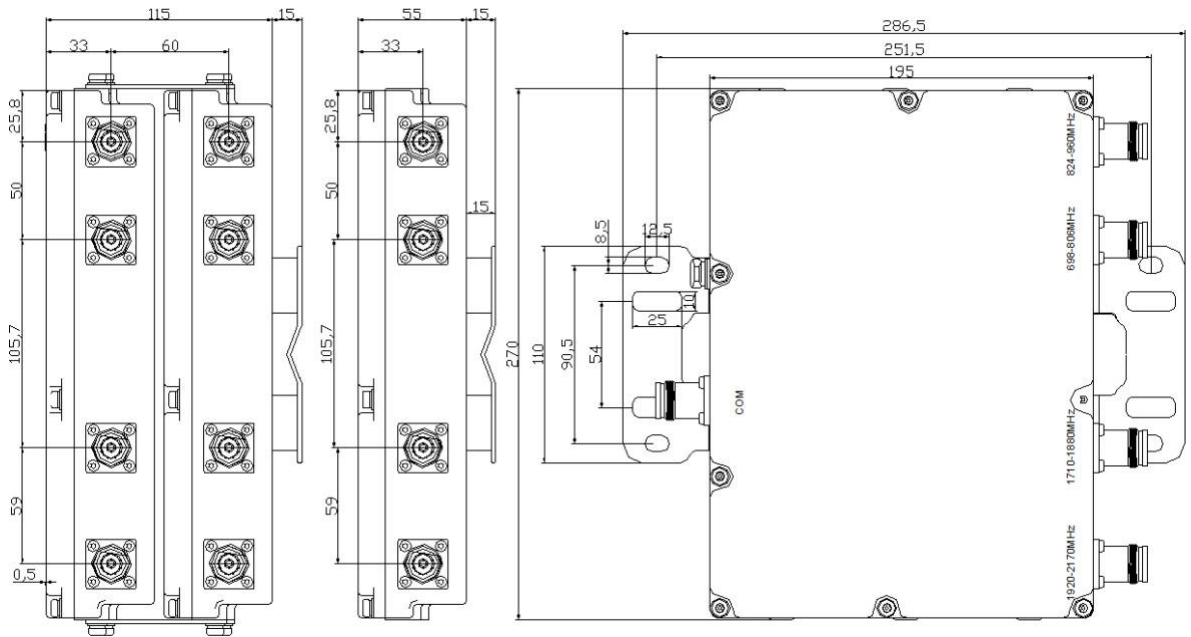
### Product Photo & Schematic Diagram



### Specifications

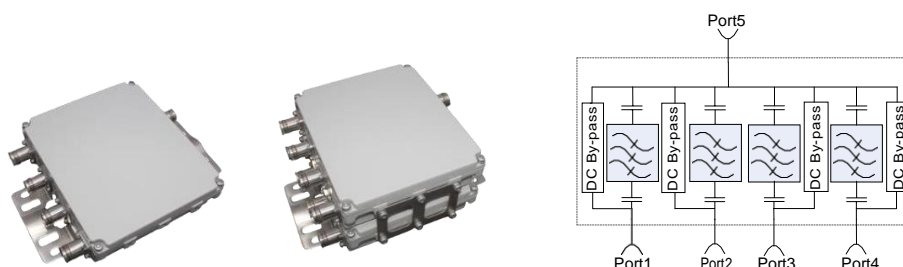
PRODUCT CODE	Single Unit: JTD-CB4-0708.0809.1718.1922-4F155S Twin Unit: JTD-CB4-0708.0809.1718.1922-4F155T			
Electrical Specifications				
Frequency	694-806MHz	824-960MHz	1710-1880MHz	1920-2170MHz
Insertion Loss	≤ 0.5 dB	≤ 0.5 dB	≤ 0.5 dB	≤ 0.5 dB
Isolation	≥50 dB			
Intermodulation	≤ -155 dBc @ 2 x 43 dBm			
VSWR	≤ 1.25			
Impedance	50 Ω			
Power Capacity	≤ 200 W / port			
DC Bypass/Current	Support (≤ 3 A), Customizable for any port			
Environment Specifications				
Lighting Protection	3kA; 10/350 μs pulse			
Safety	EN 60 950			
Environment	ETS 300 019			
Operating Temperature	-35 °C to +65 °C			
Storage Temperature	-40 °C to +85 °C			
Relative humidity	0-95%			
Application	IP67 (Indoor and Outdoor)			
Mechanical Specifications				
Dimensions	Single: 270 x 195 x 55 mm Twin: 270 x 195 x 115 mm			
Weight	Single: ≤ 3.6 Kg, Twin: ≤ 7.3 Kg			
RF Connector	4.3-10 female			
Mounting Type	Wall or Pole			
Installation Brackets	IK-CBAL200, 1 pair (Inclusive)			

# Outline Drawing



## Quadplexer (690-960/1710-1880/1920-2200/2300-2700)

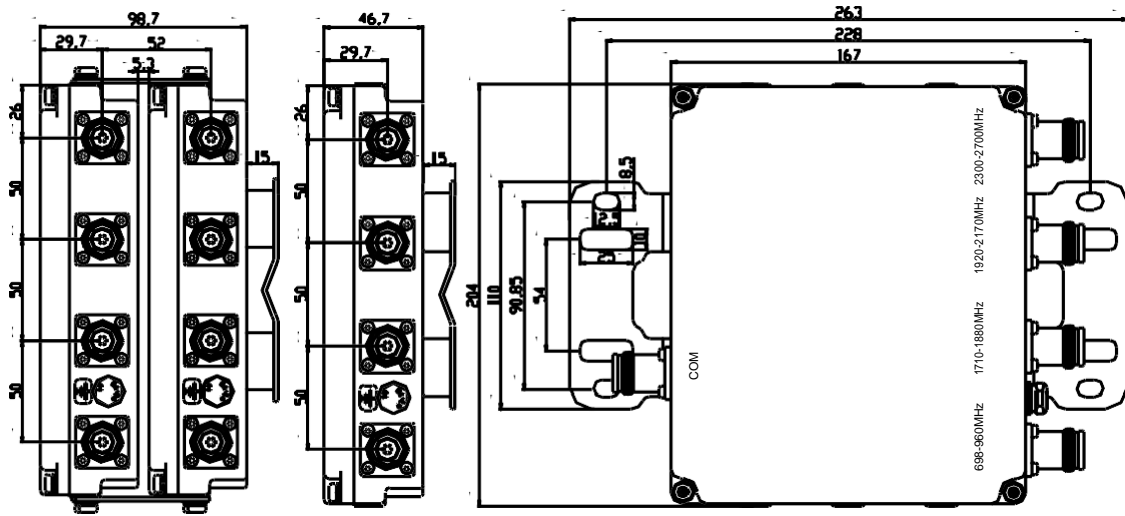
### Product Photo & Schematic Diagram



### Specifications

PRODUCT CODE	Single Unit: JTD-CB4-0709.1718.1922.2327-4F155S Twin Unit: JTD-CB4-0709.1718.1922.2327-4F155T			
Electrical Specifications				
Frequency	690-960MHz	1710-1880MHz	1920-2200MHz	2300-2700MHz
Insertion Loss	≤ 0.4 dB	≤ 0.4 dB	≤ 0.4 dB	≤ 0.4 dB
Isolation	≥50 dB			
Intermodulation	≤ -155 dBc @ 2 x 43 dBm			
VSWR	≤ 1.25			
Impedance	50 Ω			
Power Capacity	≤ 200 W / port			
DC Bypass/Current	Support (≤ 3 A), Customizable for any port			
Environment Specifications				
Lighting Protection	3kA; 10/350 μs pulse			
Safety	EN 60 950			
Environment	ETS 300 019			
Operating Temperature	-35 °C to +65 °C			
Storage Temperature	-40 °C to +85 °C			
Relative humidity	0-95%			
Application	IP67 (Indoor and Outdoor)			
Mechanical Specifications				
Dimensions	Single: 204 x 167 x47 mm Twin: 204 x 167 x99 mm			
Weight	Single: ≤ 3 Kg, Twin: ≤ 6 Kg			
RF Connector	4.3-10 female			
Mounting Type	Wall or Pole			
Installation Brackets	IK-CBAL200, 1 pair (Inclusive)			

# Outline Drawing



## Quadplexer (698-960/1710-2170/2300-2700/3300-3800)

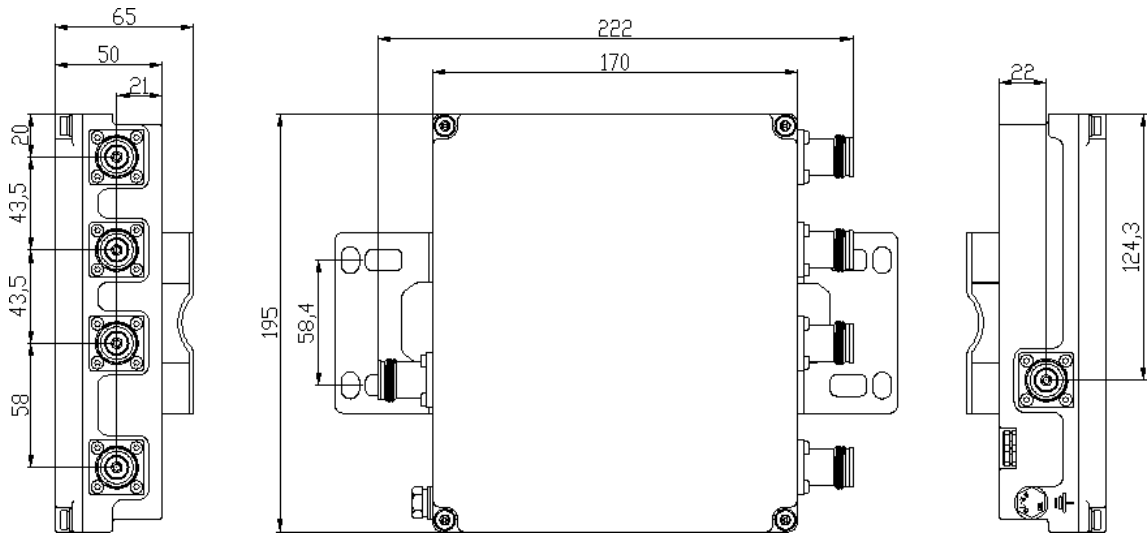
### Product Photo & Schematic Diagram



### Specifications

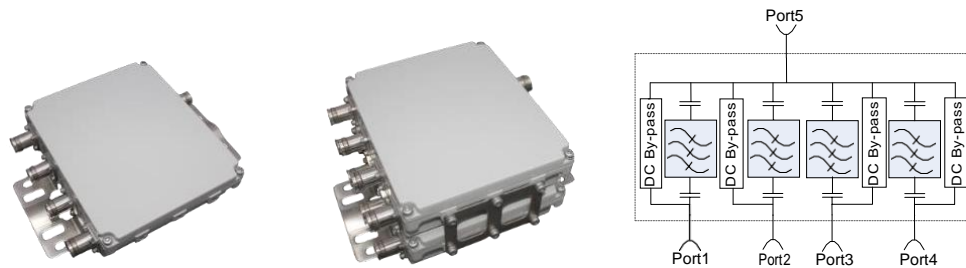
PRODUCT CODE	JTD-CB4-0709.1718.1922.2327-4F155S			
Electrical Specifications				
Frequency	690-960MHz	1710-2170MHz	2300-2700MHz	3300-3800MHz
Insertion Loss	≤ 0.3 dB	≤ 0.3 dB	≤ 0.3 dB	≤ 0.3 dB
Isolation	≥50 dB			
Intermodulation	≤ -155 dBc @ 2 x 43 dBm			
VSWR	≤ 1.25			
Impedance	50 Ω			
Power Capacity	≤ 200 W / port			
DC Bypass*/Current	Support (≤ 3 A), Customizable for any port			
Environment Specifications				
Lighting Protection	3kA; 10/350 μs pulse			
Safety	EN 60 950			
Environment	ETS 300 019			
Operating Temperature	-35 °C to +65 °C			
Storage Temperature	-40 °C to +85 °C			
Relative humidity	0-95%			
Application	IP67 (Indoor and Outdoor)			
Mechanical Specifications				
Dimensions	195 x 170 x 50 mm			
Weight	≤ 3.0 Kg			
RF Connector	4.3-10 female			
Mounting Type	Wall or Pole			
Installation Brackets	IK-CBAL300, 1 pair (Inclusive)			

# Outline Drawing



## Quadplexer (1710-1880/1920-2170/2300-2700/3300-3800)

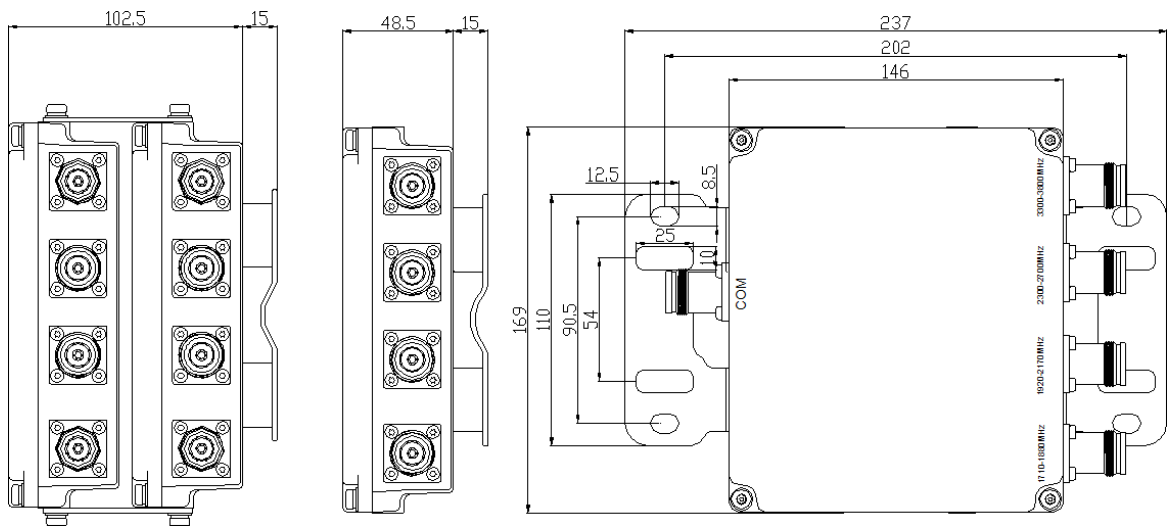
### Product Photo & Schematic Diagram



### Specifications

PRODUCT CODE	JTD-CB4-1718.1922.2327.3338-4F155S			
Electrical Specifications				
Frequency (MHz)	1710-1880	1920-2170	2300-2700	3300-3800
Insertion Loss	≤ 0.4 dB	≤ 0.4 dB	≤ 0.4 dB	≤ 0.4 dB
Isolation	≥50 dB			
Intermodulation	≤ -155 dBc @ 2 x 43 dBm			
VSWR	≤ 1.25			
Impedance	50 Ω			
Power Capacity	≤ 200 W / port			
DC Bypass*/Current	Support (≤ 3 A), Customizable for any port			
Environment Specifications				
Lighting Protection	3kA; 10/350 μs pulse			
Safety	EN 60 950			
Environment	ETS 300 019			
Operating Temperature	-20 °C to +65 °C			
Storage Temperature	-40 °C to +85 °C			
Relative humidity	0-95%			
Application	IP67 (Indoor and Outdoor)			
Mechanical Specifications				
Dimensions	146 x 169 x 48.5 mm			
Weight	≤ 3.0 Kg			
RF Connector	4.3-10 female			
Mounting Type	Wall or Pole			
Installation Brackets	IK-CBAL300, 1 pair (Inclusive)			

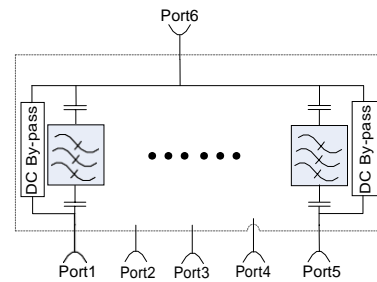
# Outline Drawing





## Pentaplexer (694-806/824-960/1710-1880/1920-2170/2300-2700)

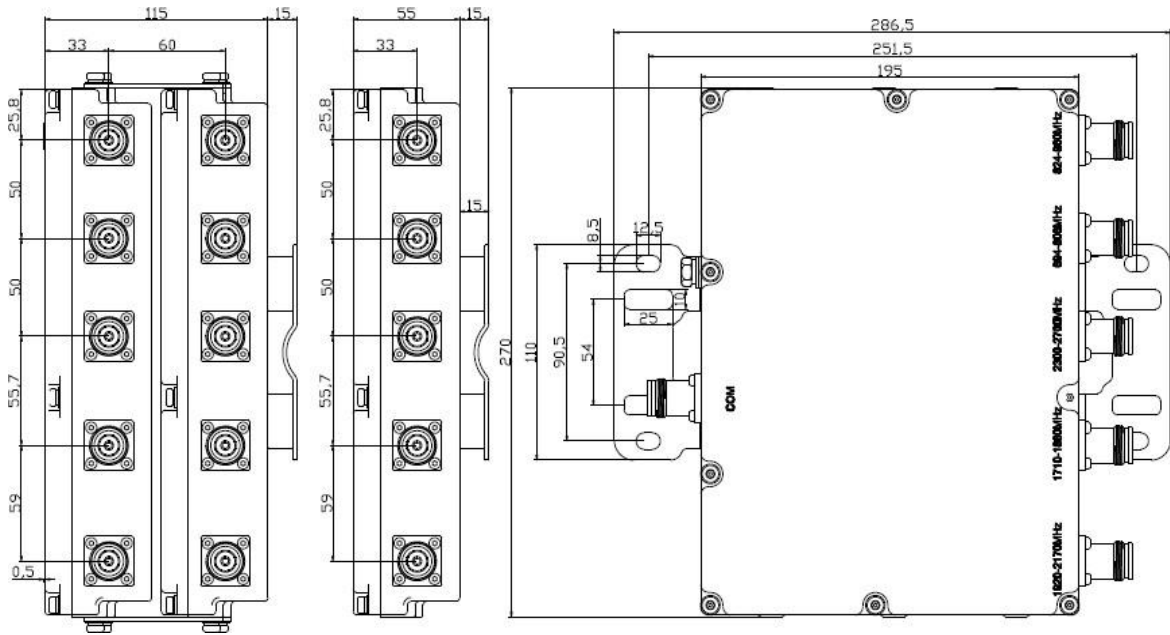
### Product Photo & Schematic Diagram



### Specifications

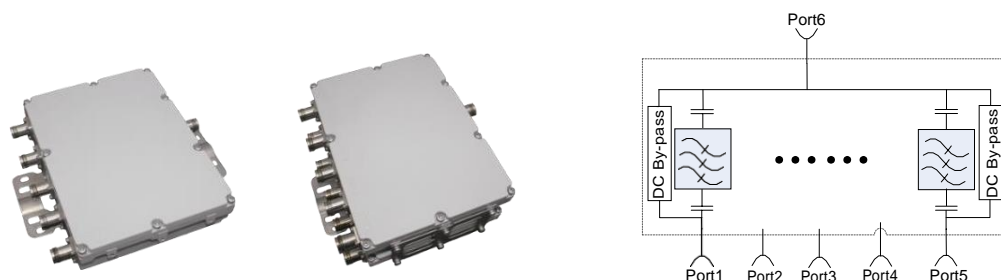
PRODUCT CODE	Single Unit: JTD-CB5-0708.0809.1718.1922.2327-4F155S Twin Unit: JTD-CB5-0708.0809.1718.1922.2327-4F155T				
Electrical Specifications					
Frequency (MHz)	694-806	824-960	1710-1880	1920-2170	2300-2700
Insertion Loss (dB)	≤ 0.4	≤ 0.4	≤ 0.4	≤ 0.4	≤ 0.4
Isolation (dB)	≥50 dB				
Intermodulation	≤ -155 dBc @ 2 x 43 dBm				
VSWR	≤ 1.3				
Impedance	50 Ω				
Power Capacity	≤ 200 W / port				
DC Bypass*/Current	Support (≤ 3 A), Customizable for any port				
Environment Specifications					
Lighting Protection	3kA; 10/350 μs pulse				
Safety	EN 60 950				
Environment	ETS 300 019				
Operating Temperature	-35 °C to +65 °C				
Storage Temperature	-40 °C to +85 °C				
Relative humidity	0-95%				
Application	IP67 (Indoor or Outdoor)				
Mechanical Specifications					
Dimensions	Single: 195 x 270 x 55 mm Twin: 195 x 270 x 115 mm				
Weight	Single: ≤ 3.5Kg, Twin: ≤7.2Kg				
RF Connector	4.3-10 female				
Mounting Type	Wall or Pole				
Installation Brackets	IK-CBAL200, 1 pair (Inclusive)				

# Outline Drawing



## Pentaplexer (698-803/824-894/1710-1880/2300-2700/3300-3800)

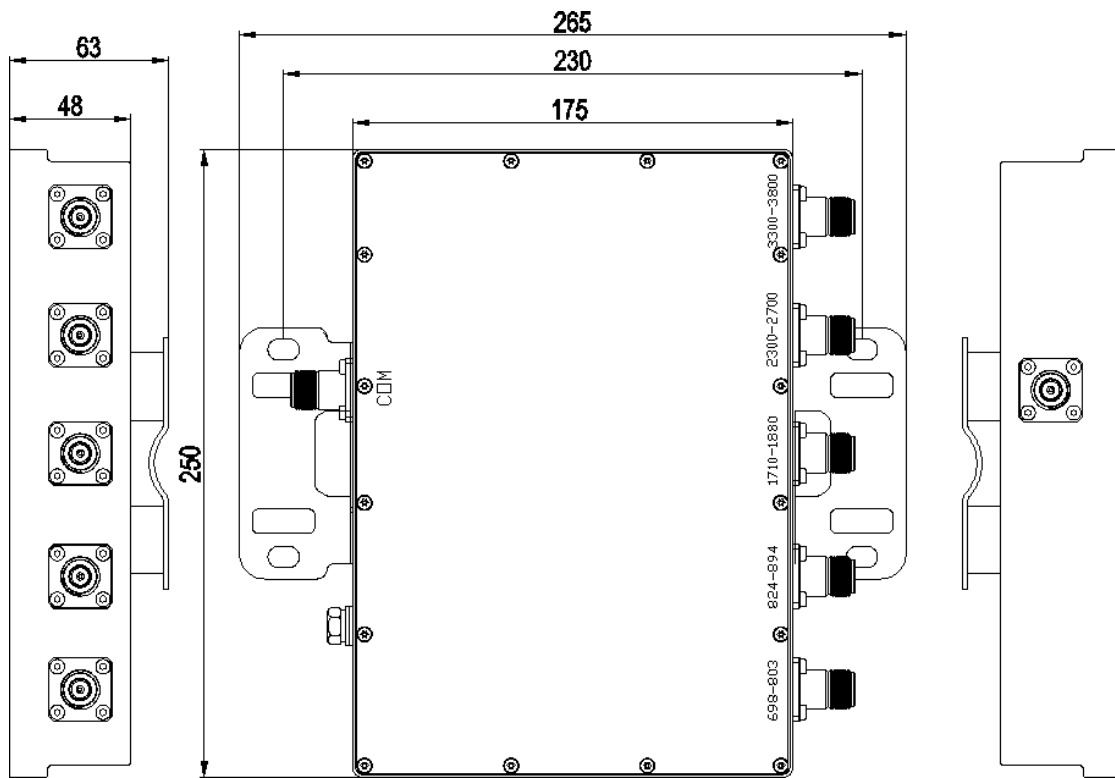
### Product Photo & Schematic Diagram



### Specifications

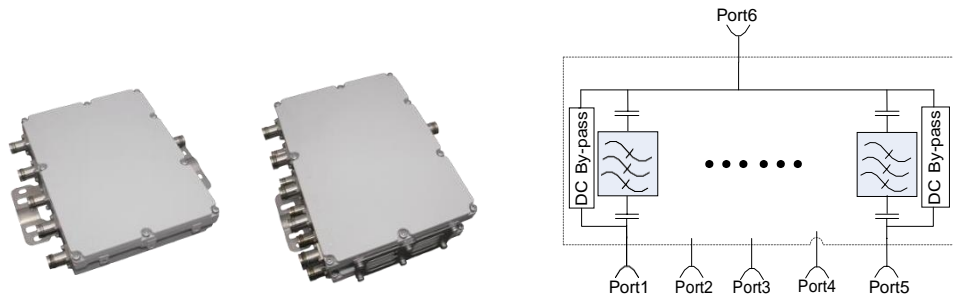
PRODUCT CODE	Single Unit: JTD-CB5-0708.0809.1719.2327.3338-4F155S Twin Unit: JTD-CB5-0708.0809.1719.2327.3338-4F155T				
Electrical Specifications					
Frequency (MHz)	698-803	824-960	1710-1880	1920-2170	2300-2700
Insertion Loss (dB)	≤ 0.5	≤ 0.5	≤ 0.5	≤ 0.5	≤ 0.5
Isolation (dB)	≥50 dB				
Intermodulation	≤ -155 dBc @ 2 x 43 dBm				
VSWR	≤ 1.25				
Impedance	50 Ω				
Power Capacity	≤ 200 W / port				
DC Bypass*/Current	Support (≤ 3 A), Customizable for any port				
Environment Specifications					
Lighting Protection	3kA; 10/350 μs pulse				
Safety	EN 60 950				
Environment	ETS 300 019				
Operating Temperature	-20 °C to +65 °C				
Storage Temperature	-40 °C to +85 °C				
Relative humidity	0-95%				
Application	IP67 (Indoor or Outdoor)				
Mechanical Specifications					
Dimensions	Single: 175 x 250 x 48 mm Twin: 175 x 250 x 100 mm				
Weight	Single: ≤ 3.3Kg, Twin: ≤6.9Kg				
RF Connector	4.3-10 or N female				
Mounting Type	Wall or Pole				
Installation Brackets	IK-CBAL200, 1 pair (Inclusive)				

# Outline Drawing



## Pentaplexer (698-960/1710-1880/1920-2170/2300-2400/2500-2700)

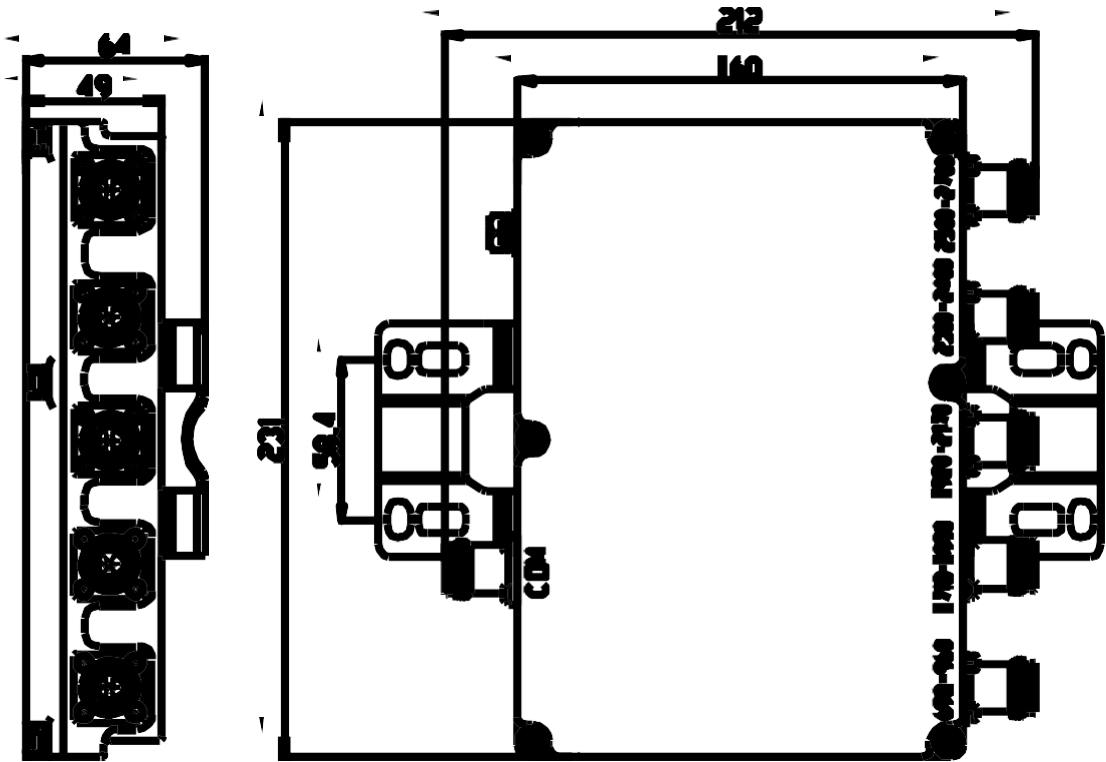
### Product Photo & Schematic Diagram



### Specifications

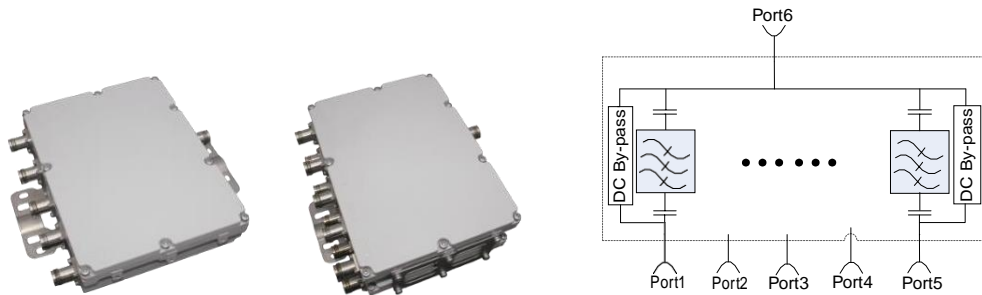
PRODUCT CODE	Single Unit: JTD-CB5-0709.1718.1922.2324.2527-4F155S Twin Unit: JTD-CB5-0709.1718.1922.2324.2527-4F155T				
Electrical Specifications					
Frequency (MHz)	698-960	1710-1880	1920-2170	2300-2400	2500-2700
Insertion Loss (dB)	≤ 0.4	≤ 0.4	≤ 0.4	≤ 0.4	≤ 0.4
Isolation (dB)	≥50 dB				
Intermodulation	≤ -155 dBc @ 2 x 43 dBm				
VSWR	≤ 1.3				
Impedance	50 Ω				
Power Capacity	≤ 200 W / port				
DC Bypass*/Current	Support (≤ 3 A), Customizable for any port				
Environment Specifications					
Lighting Protection	3kA; 10/350 μs pulse				
Safety	EN 60 950				
Environment	ETS 300 019				
Operating Temperature	-35 °C to +65 °C				
Storage Temperature	-40 °C to +85 °C				
Relative humidity	0-95%				
Application	IP67 (Indoor or Outdoor)				
Mechanical Specifications					
Dimensions	Single: 160 x 231 x 64 mm Twin: 160 x 231 x 132 mm				
Weight	Single: ≤ 3.2Kg, Twin: ≤6.6 Kg				
RF Connector	4.3-10 female				
Mounting Type	Wall or Pole				
Installation Brackets	IK-CBAL200, 1 pair (Inclusive)				

# Outline Drawing



## Pentaplexer (698-960/1710-1880/1920-2170/2500-2690/3500-3800)

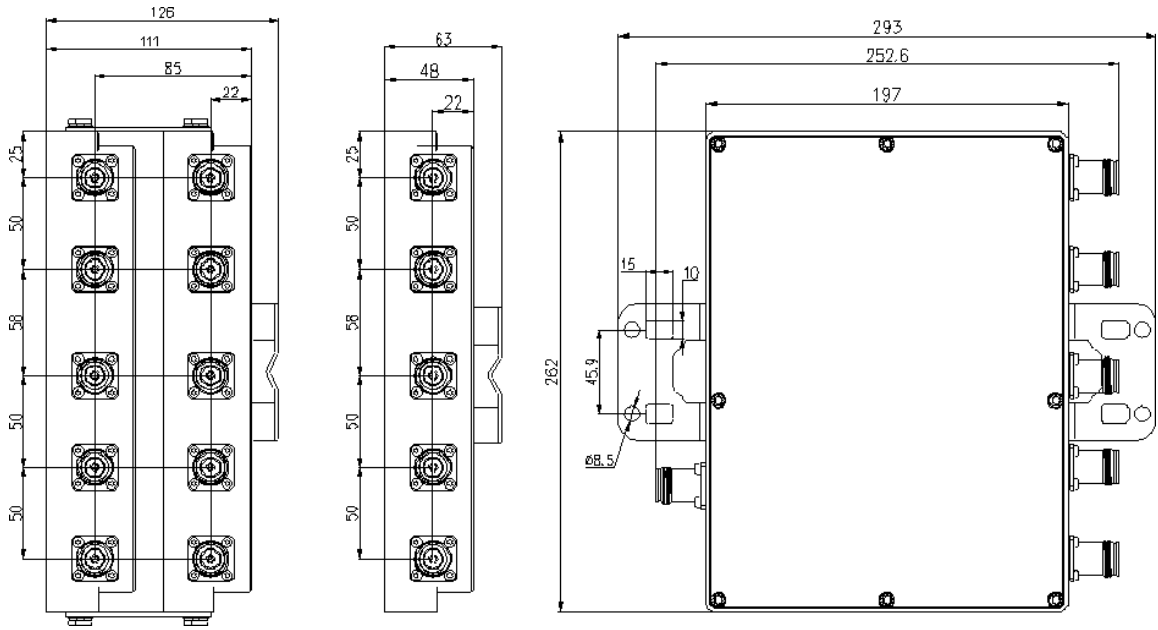
### Product Photo & Schematic Diagram



### Specifications

PRODUCT CODE	Single Unit: JTD-CB5-0709.1718.1922.2527.3538-4F155S Twin Unit: JTD-CB5-0709.1718.1922.2527.3538-4F155T				
Electrical Specifications					
Frequency (MHz)	698-960	1710-1880	1920-2170	2500-2690	3500-3800
Insertion Loss (dB)	≤ 0.4	≤ 0.4	≤ 0.4	≤ 0.4	≤ 0.4
Isolation (dB)	≥50 dB				
Intermodulation	≤ -155 dBc @ 2 x 43 dBm				
VSWR	≤ 1.3				
Impedance	50 Ω				
Power Capacity	≤ 200 W / port				
DC Bypass*/Current	Support (≤ 3 A), Customizable for any port				
Environment Specifications					
Lighting Protection	3kA; 10/350 μs pulse				
Safety	EN 60 950				
Environment	ETS 300 019				
Operating Temperature	-35 °C to +65 °C				
Storage Temperature	-40 °C to +85 °C				
Relative humidity	0-95%				
Application	IP67 (Indoor or Outdoor)				
Mechanical Specifications					
Dimensions	Single: 262 x 197 x 48 mm Twin: 262 x 197 x 111 mm				
Weight	Single: ≤ 3.5 Kg, Twin: ≤ 7.1 Kg				
RF Connector	4.3-10 female				
Mounting Type	Wall or Pole				
Installation Brackets	IK-CBAL200, 1 pair (Inclusive)				

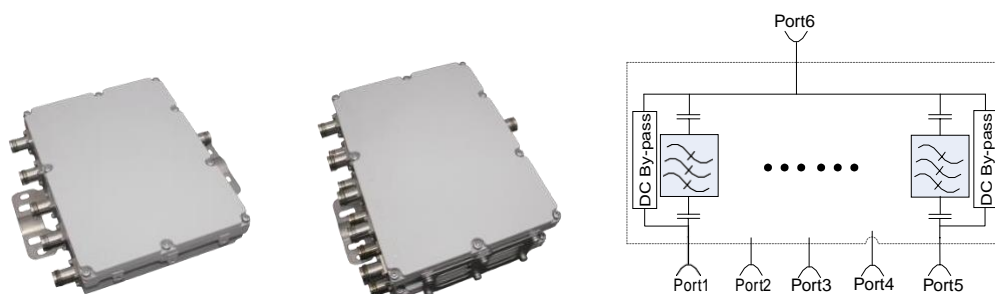
# Outline Drawing





## Pentaplexer (698-960/1710-1880/1920-2170/2300-2690/3300-3800)

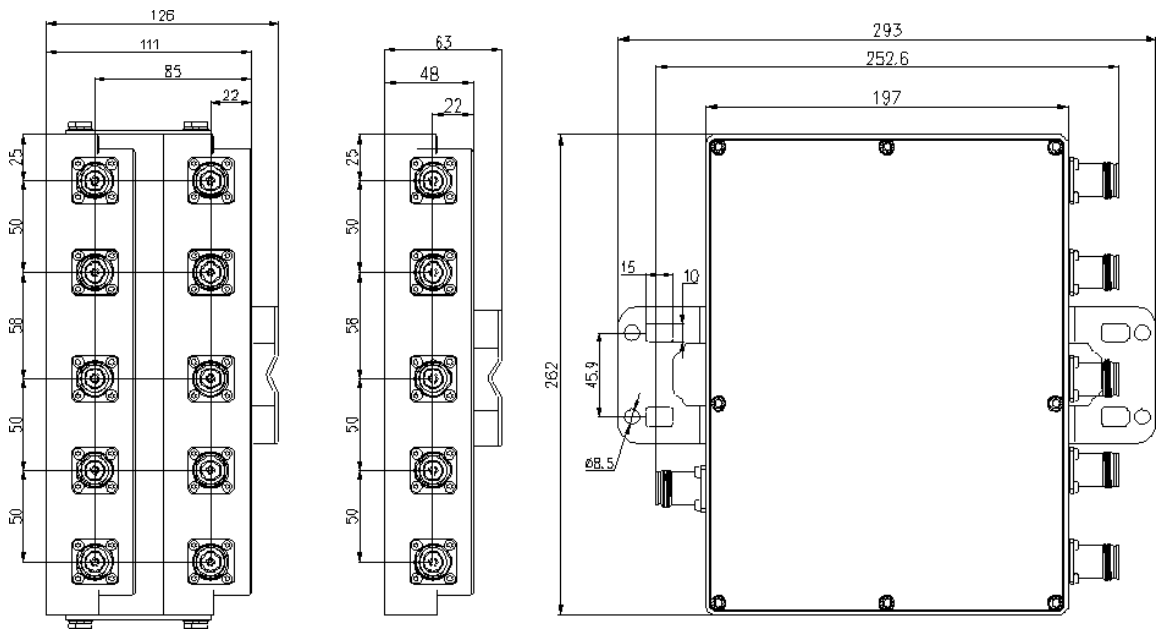
### Product Photo & Schematic Diagram



### Specifications

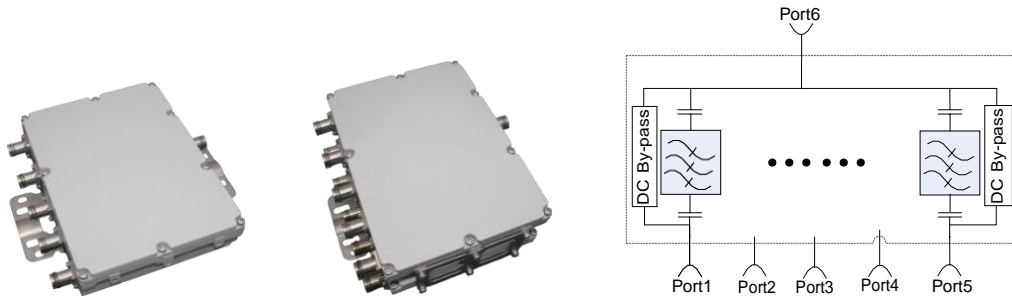
PRODUCT CODE	Single Unit: JTD-CB5-0709.1718.1922.2327.3338-4F155S Twin Unit: JTD-CB5-0709.1718.1922.2327.3338-4F155T				
Electrical Specifications					
Frequency (MHz)	698-960	1710-1880	1920-2170	2300-2690	3300-3800
Insertion Loss (dB)	≤ 0.4	≤ 0.4	≤ 0.4	≤ 0.4	≤ 0.4
Isolation (dB)	≥50 dB				
Intermodulation	≤ -155 dBc @ 2 x 43 dBm				
VSWR	≤ 1.3				
Impedance	50 Ω				
Power Capacity	≤ 200 W / port				
DC Bypass*/Current	Support (≤ 3 A), Customizable for any port				
Environment Specifications					
Lighting Protection	3kA; 10/350 μs pulse				
Safety	EN 60 950				
Environment	ETS 300 019				
Operating Temperature	-35 °C to +65 °C				
Storage Temperature	-40 °C to +85 °C				
Relative humidity	0-95%				
Application	IP67 (Indoor or Outdoor)				
Mechanical Specifications					
Dimensions	Single: 262 x 197 x 48 mm Twin: 262 x 197 x 111 mm				
Weight	Single: ≤ 3.5 Kg, Twin: ≤ 7.1 Kg				
RF Connector	4.3-10 female				
Mounting Type	Wall or Pole				
Installation Brackets	IK-CBAL200, 1 pair (Inclusive)				

# Outline Drawing



## Pentaplexer (380-960/1427-1880/1920-2170/2300-2690/3300-3800)

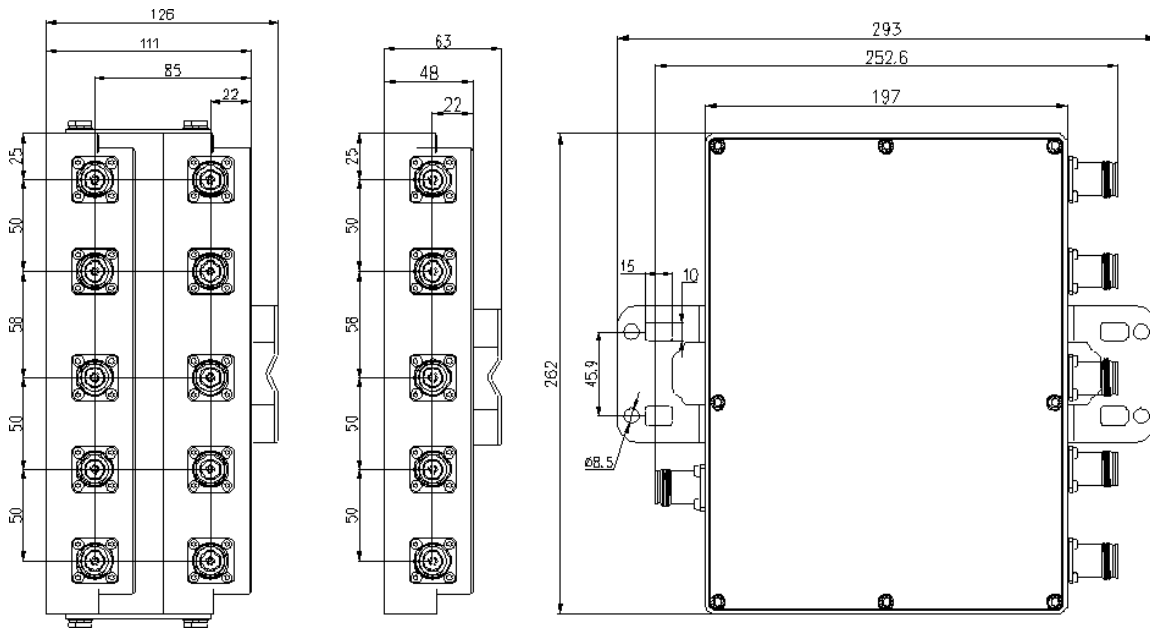
### Product Photo & Schematic Diagram



### Specifications

PRODUCT CODE	Single Unit: JTD-CB5-0409.1418.1922.2327.3338-4F155S Twin Unit: JTD-CB5-0409.1418.1922.2327.3338-4F155T				
Electrical Specifications					
Frequency (MHz)	380-960	1427-1880	1920-2170	2300-2690	3300-3800
Insertion Loss (dB)	≤ 0.4				
Isolation (dB)	≥50 dB				
Intermodulation	≤ -155 dBc @ 2 x 43 dBm				
VSWR	≤ 1.3				
Impedance	50 Ω				
Power Capacity	≤ 200 W / port				
DC Bypass*/Current	Support (≤ 3 A), Customizable for any port				
Environment Specifications					
Lighting Protection	3kA; 10/350 μs pulse				
Safety	EN 60 950				
Environment	ETS 300 019				
Operating Temperature	-35 °C to +65 °C				
Storage Temperature	-40 °C to +85 °C				
Relative humidity	0-95%				
Application	IP67 (Indoor or Outdoor)				
Mechanical Specifications					
Dimensions	Single: 262 x 197 x 48 mm Twin: 262 x 197 x 111 mm				
Weight	Single: ≤ 4 Kg, Twin: ≤ 8 Kg				
RF Connector	4.3-10 female				
Mounting Type	Wall or Pole				
Installation Brackets	IK-CBAL200, 1 pair (Inclusive)				

# Outline Drawing



## Hexaplexer (698-806/824-960/1710-1880/1920-2170/2300-2700/3300-3800)

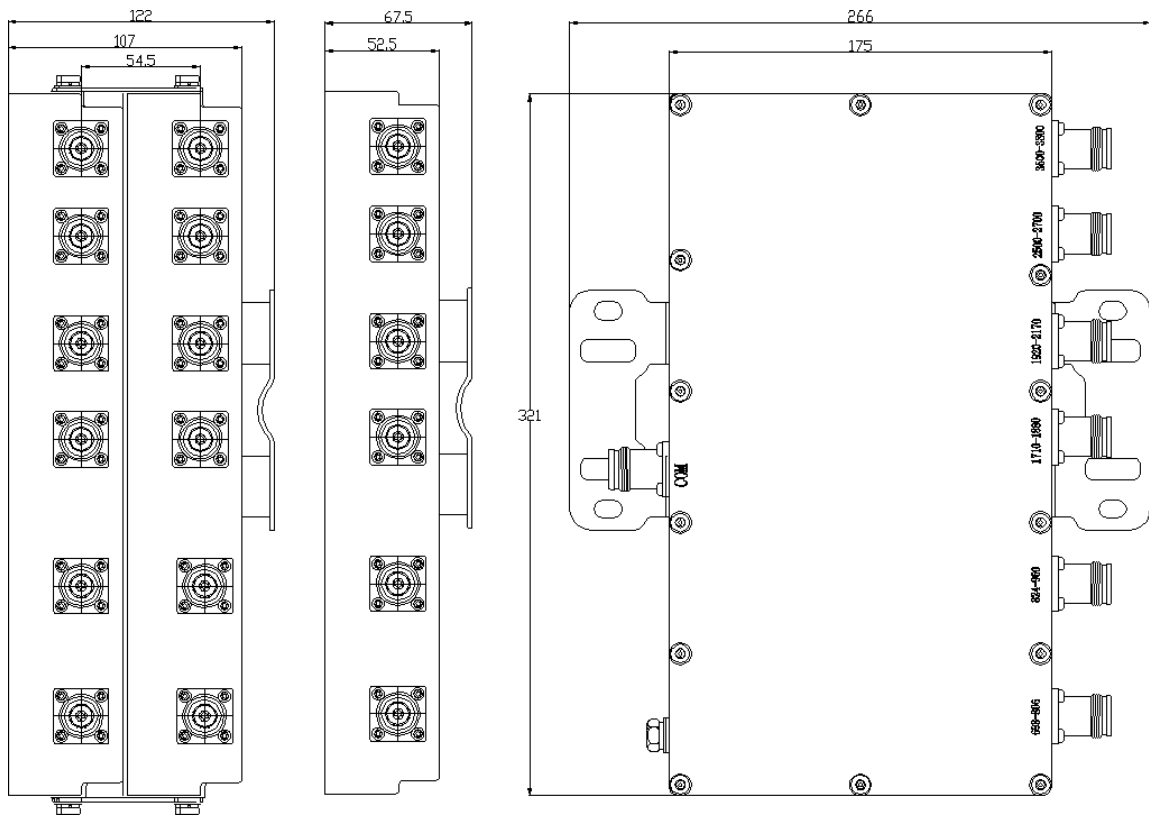
### Product Photo & Schematic Diagram



### Specifications

PRODUCT CODE	Single Unit: JTD-CB6-0708.0809.1718.1922.2327.3338-4F155S Twin Unit: JTD-CB6-0708.0809.1718.1922.2327.3338-4F155T					
Electrical Specifications						
Frequency (MHz)	698-806	824-960	1710-1880	1920-2170	2300-2700	3300-3800
Insertion Loss (dB)	≤ 0.5	≤ 0.5	≤ 0.5	≤ 0.5	≤ 0.5	≤ 0.5
Isolation (dB)	≥ 50 dB					
Intermodulation	≤ -155 dBc @ 2 x 43 dBm					
VSWR	≤ 1.3					
Impedance	50 Ω					
Power Capacity	≤ 200 W / port					
Environment Specifications						
Lighting Protection	3kA; 10/350 μs pulse					
Safety	EN 60 950					
Environment	ETS 300 019					
Operating Temperature	-35 °C to +65 °C					
Storage Temperature	-40 °C to +85 °C					
Relative humidity	0-95%					
Application	IP67 (Indoor or Outdoor)					
Mechanical Specifications						
Dimensions	321 x 175 x 52.5 mm					
Weight	≤ 4.0 Kg					
RF Connector	4.3-10 female					
Mounting Type	Wall or Pole					
Installation Brackets	IK-CBAL300, 1 pair (Inclusive)					

# Outline Drawing



## Hexaplexer (698-798/824-894/1695-2180/2300-2400/2500-2690/3300-3800)

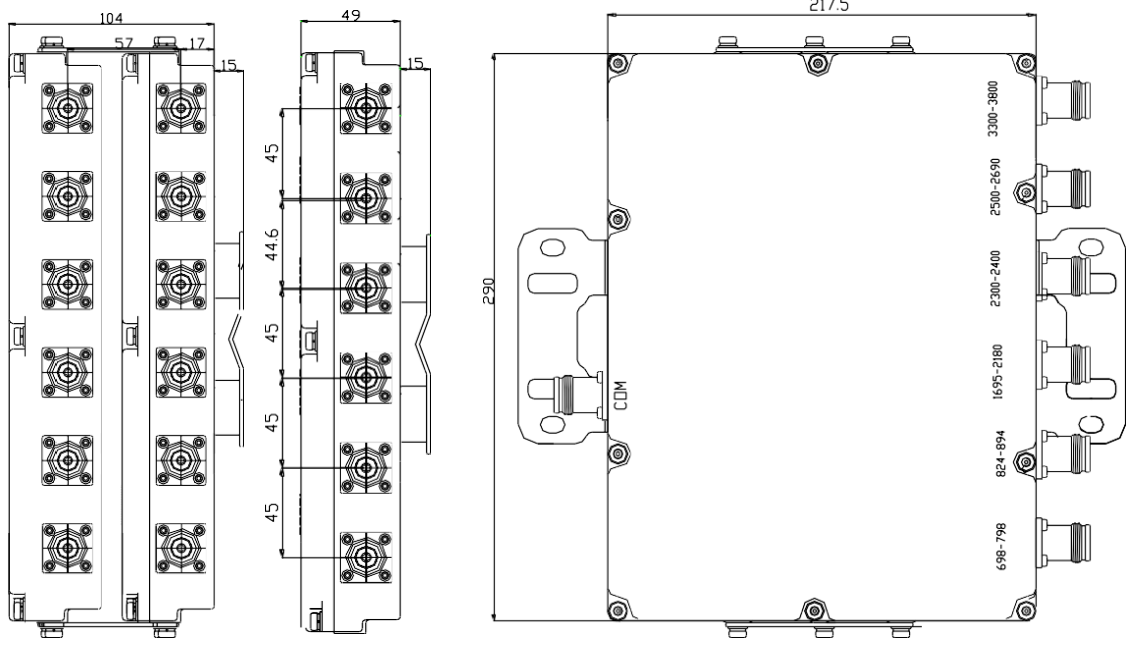
### Product Photo & Schematic Diagram



### Specifications

PRODUCT CODE	Single Unit: JTD-CB6-0708.0809.1722.2324.2527.3338-4F155S Twin Unit: JTD-CB6-0708.0809.1722.2324.2527.3338-4F155T					
Electrical Specifications						
Frequency (MHz)	698-798	824-894	1695-2180	2300-2400	2500-2690	3300-3800
Insertion Loss (dB)	≤ 0.5	≤ 0.5	≤ 0.5	≤ 0.5	≤ 0.5	≤ 0.5
Isolation (dB)	≥ 50 dB					
Intermodulation	≤ -155 dBc @ 2 x 43 dBm					
VSWR	≤ 1.3					
Impedance	50 Ω					
Power Capacity	≤ 200 W / port					
Environment Specifications						
Lighting Protection	3kA; 10/350 μs pulse					
Safety	EN 60 950					
Environment	ETS 300 019					
Operating Temperature	-20 °C to +65 °C					
Storage Temperature	-40 °C to +85 °C					
Relative humidity	0-95%					
Application	IP67 (Indoor or Outdoor)					
Mechanical Specifications						
Dimensions	290 x 217.5 x 49 mm (Single Unit) 290 x 217.5 x 104 mm (Twin Unit)					
Weight	≤ 3.5 Kg (Single Unit) ≤ 7.2 Kg (Twin Unit)					
RF Connector	4.3-10 female					
Mounting Type	Wall or Pole					
Installation Brackets	IK-CBAL300, 1 pair (Inclusive)					

# Outline Drawing





## 7 Combiner (698-798/824-960/1695-1880/1920-2200/2300-2400/2500-2690/3300-3800)

### Specifications

PRODUCT CODE	JTD-CB7-0708.0809.1719.1922.2324.2527.3338-4F155S JTD-CB7-0708.0809.1719.1922.2324.2527.3338-4F155T						
Electrical Specifications							
Frequency (MHz)	698-798	824-960	1695-1880	1920-2200	2300-2400	2500-2690	3300-3800
Insertion Loss (dB)	≤ 0.5	≤ 0.5	≤ 0.5	≤ 0.5	≤ 0.5	≤ 0.5	≤ 0.5
Isolation (dB)	≥ 50 dB						
Intermodulation	≤ -155 dBc @ 2 x 43 dBm						
VSWR	≤ 1.3						
Impedance	50 Ω						
Power Capacity	≤ 200 W / port						
Environment Specifications							
Lighting Protection	3kA; 10/350 μs pulse						
Safety	EN 60 950						
Environment	ETS 300 019						
Operating Temperature	-20 °C to +65 °C						
Storage Temperature	-40 °C to +85 °C						
Relative humidity	0-95%						
Application	IP67 (Indoor or Outdoor)						
Mechanical Specifications							
Dimensions	335 x 217.5 x 49 / 335 x 217.5 x 104 mm						
Weight	≤ 4.0 Kg / ≤ 8.2 Kg						
RF Connector	4.3-10 female						
Mounting Type	Wall or Pole						
Installation Brackets	IK-CBAL300, 1 pair (Inclusive)						

### Outline Drawing

